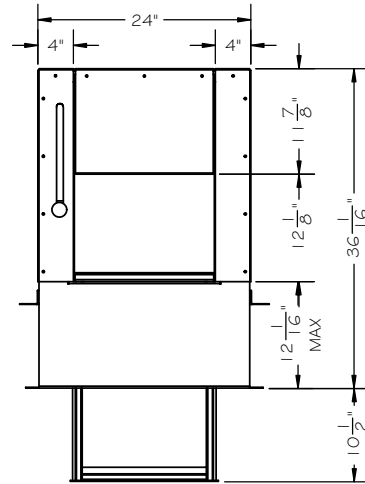
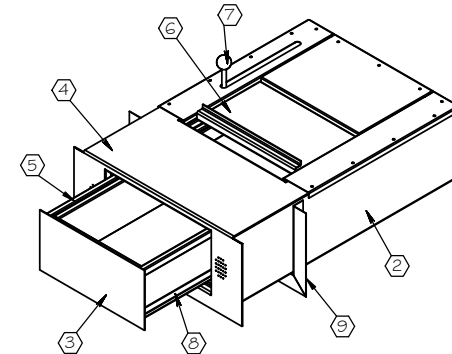


6003 EXTENDED NOTES:

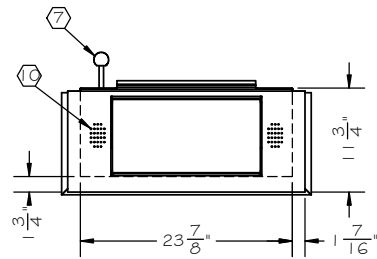
- ① UL LISTED ARMORTEX® BALLISTIC MATERIAL
- ② 16 GA. PRIME PAINTED STEEL CASE
- ③ STAINLESS STEEL DRAWER FRONT
- ④ STAINLESS STEEL TOP AND FRONT
- ⑤ STAINLESS STEEL DRAWER
- ⑥ STAINLESS STEEL SLIDING DRAWER COVER
- ⑦ STAINLESS STEEL ACTUATING HANDLE
- ⑧ SLIDING DRAWER TRACKS
- ⑨ 3-SIDED ADJUSTABLE MOUNTING FRAME
- ⑩ CONTACTA SPEAKER
(STS-SS INTEGRATED WINDOW INTERCOM SYSTEM)



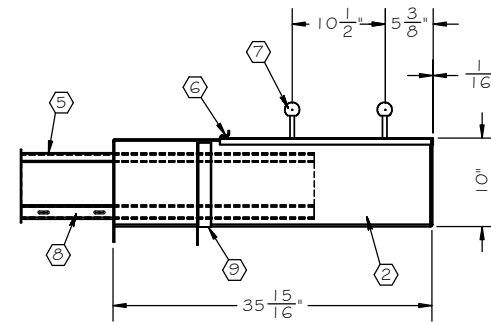
TOP VIEW



ISOMETRIC VIEW



FRONT VIEW
□ REQUIRED



SIDE VIEW

SCALE: AS NOTED	TITLE: 6003 EX W/ SPKR	UNLESS OTHERWISE SPECIFIED: DIMENSIONS ARE IN INCHES TOLERANCES: FRACTIONAL ± 1/16" ANGULAR: ± 1° TWO PLACE DECIMAL ± .01 THREE PLACE DECIMAL ± .005 INTERPRET GEOMETRIC TOLERANCING PER: ASME Y14.5	ARMORTEX® BULLET • BLAST • FORCED ENTRY - PROTECTION PRODUCTS 5926 CORRIDOR PKWY SCHERTZ, TX 78154 TEL: 210-661-8306 800-880-8306 FAX: 210-661-8308 www.armortex.com
DATE: R. RIEHL	MODEL: TE-6003 EX		
DRAWN BY: 3/23/2026	SHEET NUMBER: 1 OF 1		