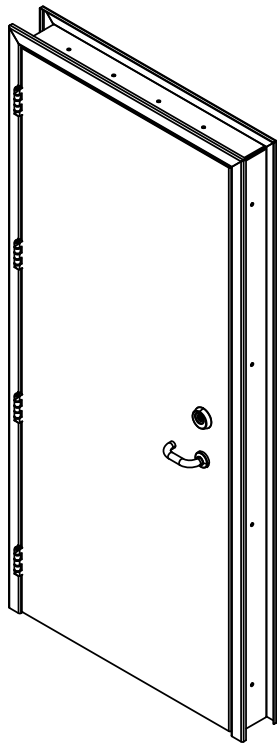
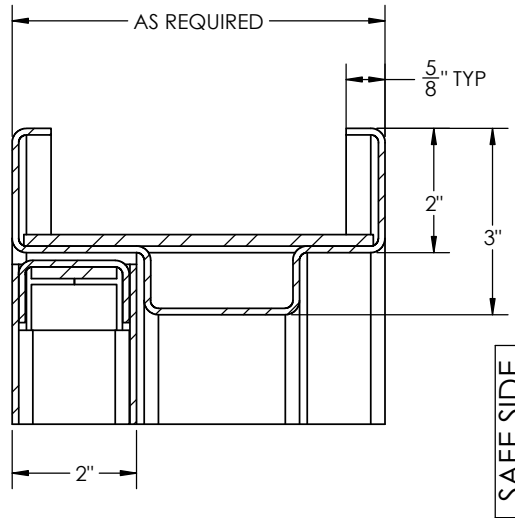


- ① ARMORTEX® 60 MIN FORCED ENTRY ASTM 3038
- ② 3'0" x 7'0" OUTSWING DOOR
- ③ 12 GA. PRIME PAINTED GALVANEAL FRAME AND DOOR
- ④ SURELOCK MCGILL 5-KNUCKLE SECURITY HINGES
- ⑤ SURELOCK MCGILL SL324 MULTI POINT LOCK

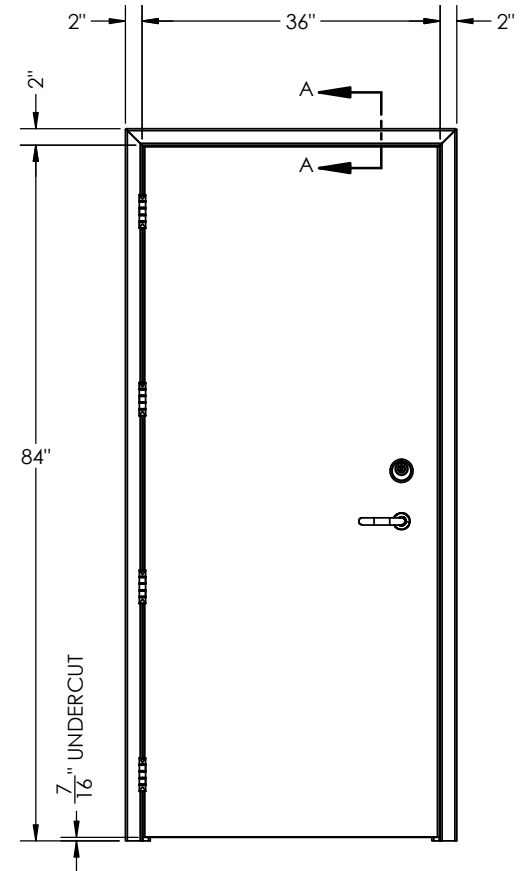


THREAT SIDE



SAFE SIDE

SECTION A-A
SCALE 1 : 2



SCALE: AS NOTED	TITLE: 60MIN FORCED ENTRY	<small>UNLESS OTHERWISE SPECIFIED: DIMENSIONS ARE IN INCHES TOLERANCES: FRACTIONAL ± 1/16" ANGULAR: ± 1° TWO PLACE DECIMAL ± .01 THREE PLACE DECIMAL ± .005 INTERPRET GEOMETRIC TOLERANCING PER: ASME Y14.5</small>	ARMORTEX® BULLET • BLAST • FORCED ENTRY - PROTECTION PRODUCTS 5926 CORRIDOR PKWY SCHERTZ, TX 78154 TEL: 210-661-8306 800-880-8306 FAX: 210-661-8308 www.armortex.com
DATE: 01-02-2024	MODEL: DR-HM-NL-60M		
DRAWN BY: R. RIEHL	SHEET NUMBER: 1 OF 1		