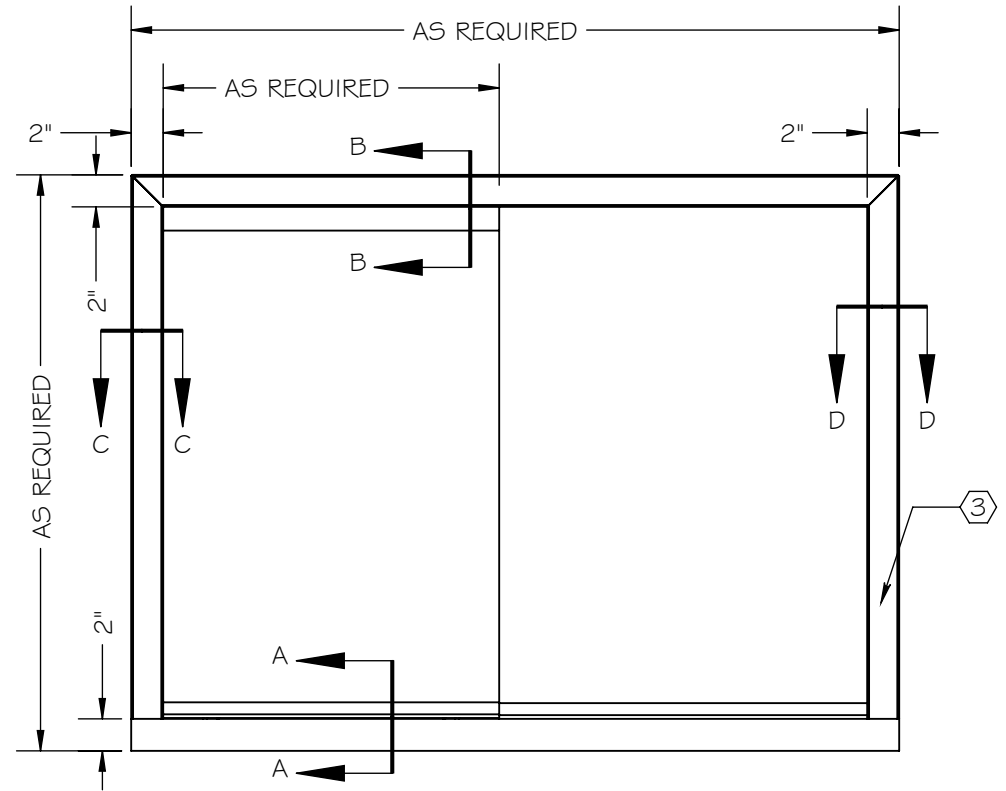
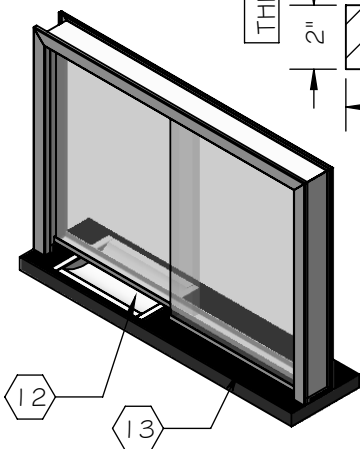
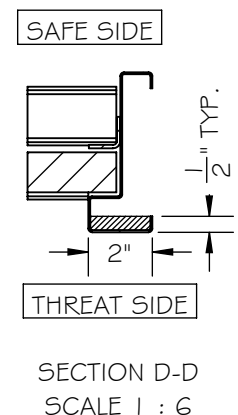
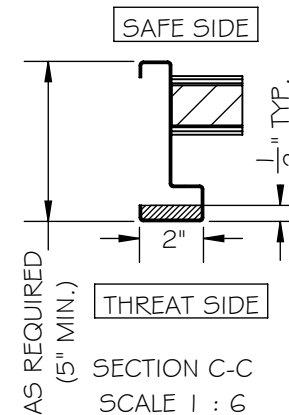
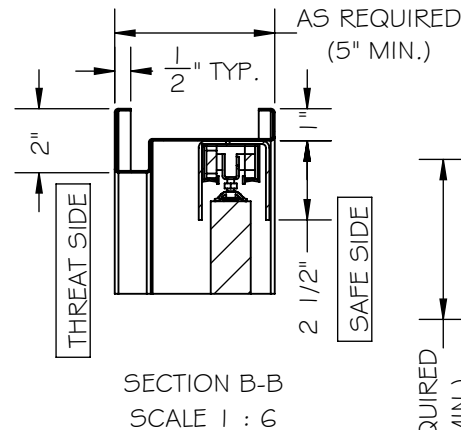
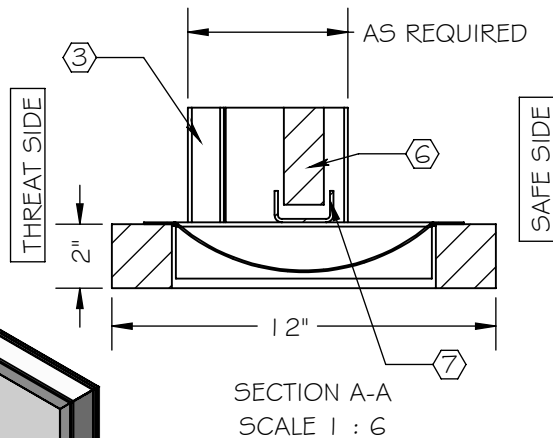


NOTES:

- ① ARMORTEX<sup>®</sup> BULLET RESISTANT ARMOR
- ② ANCHORS AS REQUIRED (NOT SHOWN)
- ③ PRIME PAINTED STEEL FRAME (STAINLESS STEEL OPTIONAL)
- ④ NEOPRENE SETTING BLOCKS
- ⑤ GLAZING TAPE
- ⑥ ARMORTEX<sup>®</sup> BULLET RESISTANT GLAZING
- ⑦ STAINLESS STEEL TRACK
- ⑧ 1/4" QUICK-RELEASE PIN W/ NYLON COATED CABLE (NOT SHOWN)
- ⑨ STAINLESS STEEL ROLLER GUARD
- ⑩ ROLLER TRACK
- ⑪ HANDPULL (NOT SHOWN)
- ⑫ STAINLESS STEEL DEAL TRAY
- ⑬ HIGH PRESSURE LAMINATED BLACK PLASTIC SHELF (STAINLESS STEEL OPTIONAL)



ELEVATION VIEW  
SCALE 1:16



SCALE: AS NOTED	TITLE: TRANSACTION WINDOW HOLLOW METAL SLIDING	UNLESS OTHERWISE SPECIFIED: DIMENSIONS ARE IN INCHES TOLERANCES: FRACTIONAL: ±1/16" ANGULAR: ±1° TWO PLACE DECIMAL ±.01 THREE PLACE DECIMAL ±.005
DATE: 06-24-2015	MODEL: WI-TW-HM-SW	
DRAWN BY: M. FREEMAN	SHEET NUMBER: 1 OF 1	

**ARMORTEX<sup>®</sup>**  
 BULLET • BLAST • FORCED ENTRY - PROTECTION PRODUCTS  
 5926 CORRIDOR PKWY SCHERTZ, TX 78154  
 TEL: 210-661-8306 800-880-8306 FAX: 210-661-8308  
 www.armortex.com