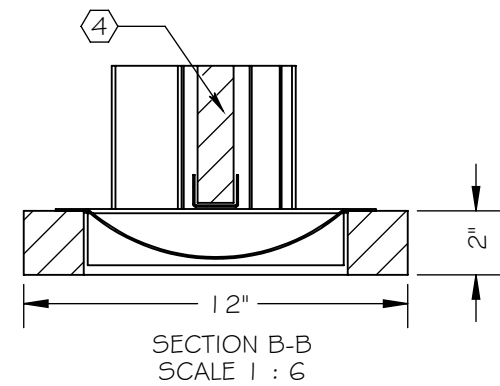
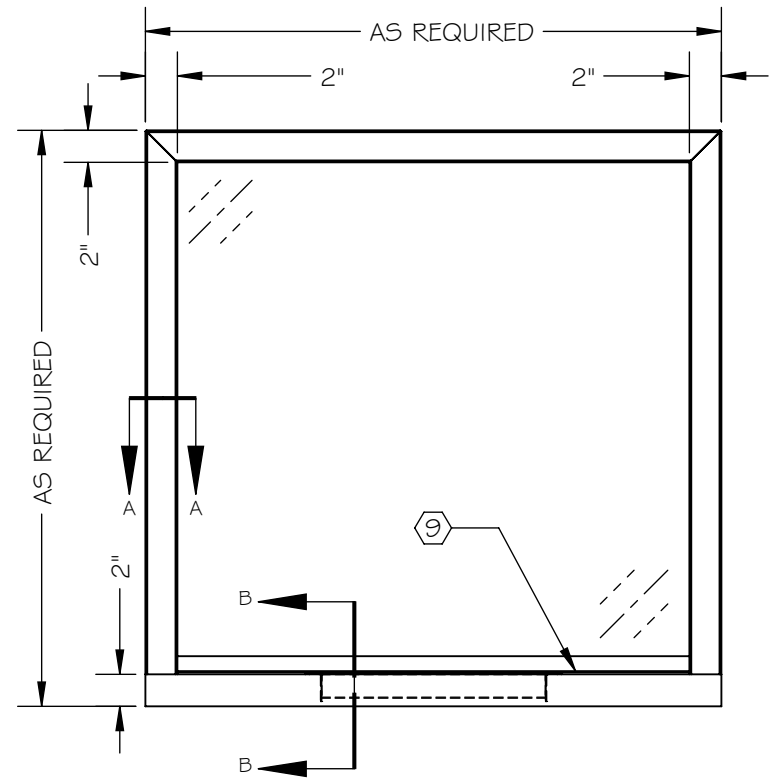
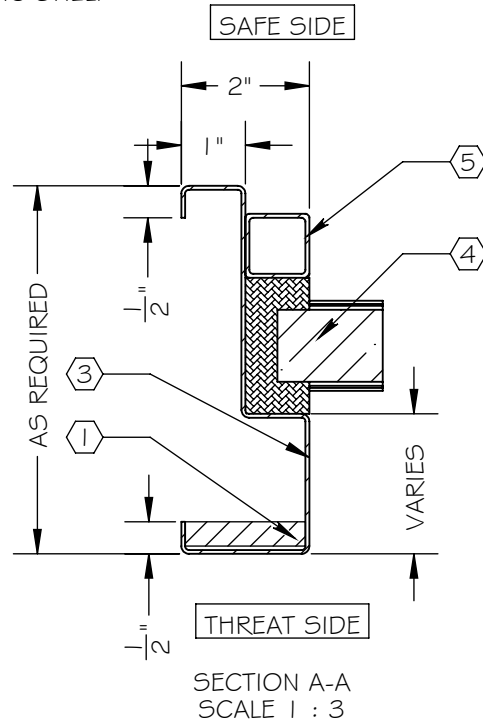
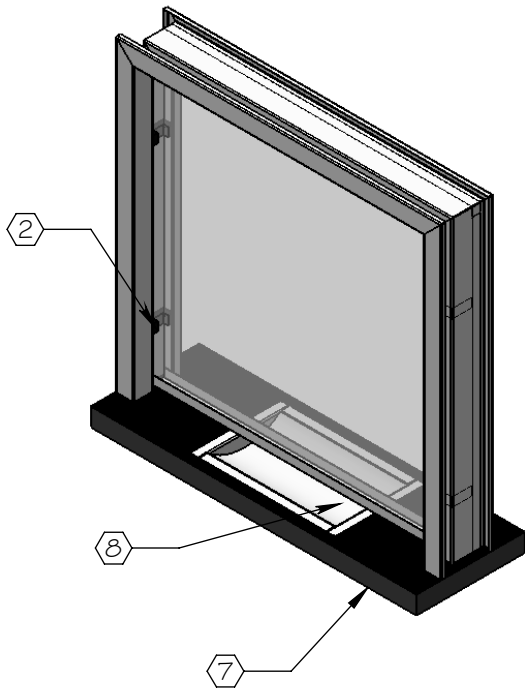


NOTES:

- ① ARMORTEX BULLET RESISTANT ARMOR
- ② NATURAL VOICE SPACERS
- ③ 16 GA. PRIMED STEEL FRAME
- ④ ARMORTEX BULLET RESISTANT GLAZING
- ⑤ REMOVABLE STOP 1" X 1"
- ⑥ ANCHORS AS REQUIRED (BY OTHERS) (NOT SHOWN)
- ⑦ HIGH PRESSURE BLACK LAMINATED PLASTIC SHELF
- ⑧ STAINLESS STEEL DEAL TRAY
- ⑨ STAINLESS STEEL GLAZING CAP



SCALE: AS NOTED	TITLE: TRANSACTION WINDOW NATURAL VOICE	UNLESS OTHERWISE SPECIFIED: DIMENSIONS ARE IN INCHES TOLERANCES: FRACTIONAL: ±1/16" ANGULAR: ±1° TWO PLACE DECIMAL ±.01 THREE PLACE DECIMAL ±.005	ARMORTEX [®] BULLET • BLAST • FORCED ENTRY - PROTECTION PRODUCTS 5926 CORRIDOR PKWY SCHERTZ, TX 78154 TEL: 210-661-8306 800-880-8306 FAX: 210-661-8308 www.armortex.com
DATE: 06-11-2015	MODEL: WI-TW-HM-NV		
DRAWN BY: M. FREEMAN	SHEET NUMBER: 1 OF 1		