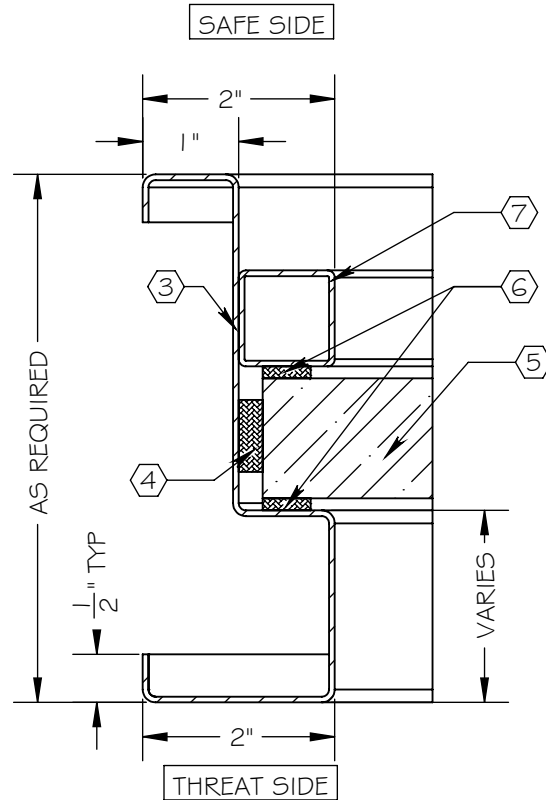
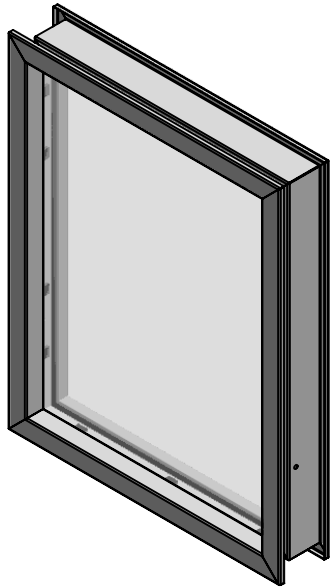


NOTES:

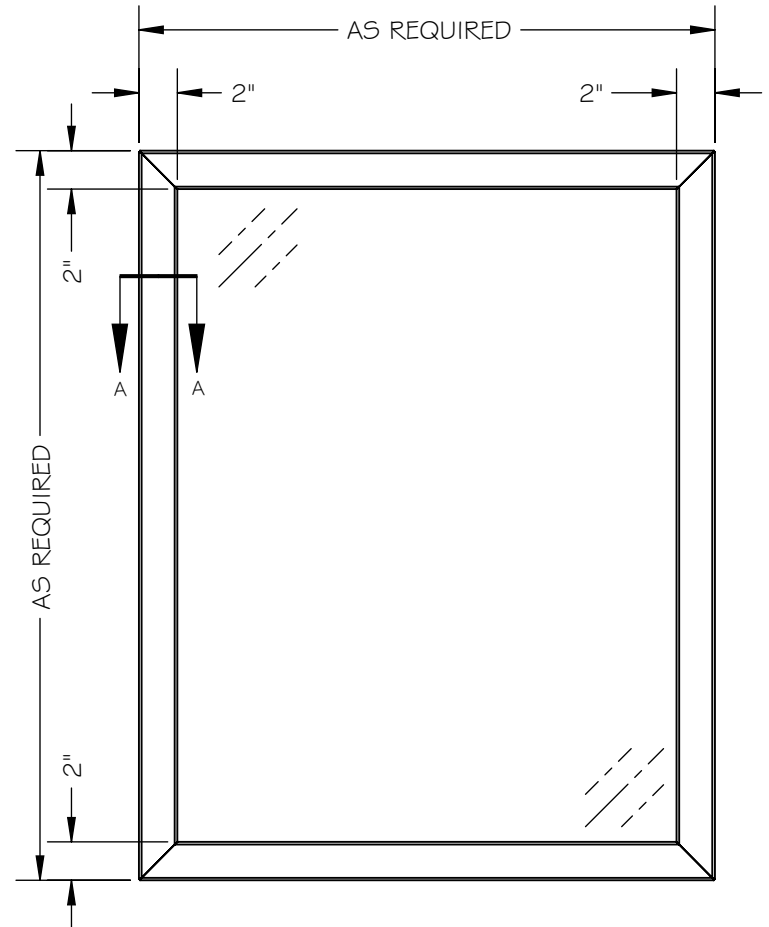
- ① ARMORTEX® BULLET RESISTANT ARMOR
- ② ANCHORS AS REQUIRED (BY OTHERS) (NOT SHOWN)
- ③ 16 GA. PRIME PAINTED STEEL FRAME (STAINLESS STEEL

OPTIONAL)

- ④ NEOPRENE SETTING BLOCKS (TYP. 2 PER SIDE AS REQUIRED)
- ⑤ ARMORTEX® BULLET RESISTANT GLAZING
- ⑥ GLAZING TAPE
- ⑦ REMOVABLE STOP 1" X 1"
- ⑧ ANCHOR HOLES AS REQUIRED



SECTION A-A
SCALE 1 : 2



ELEVATION VIEW
SCALE 1 : 10

SCALE: AS NOTED	TITLE: FIXED WINDOW HOLLOW METAL FRAME	UNLESS OTHERWISE SPECIFIED: DIMENSIONS ARE IN INCHES TOLERANCES: FRACTIONAL: ±1/16" ANGULAR: ±1° TWO PLACE DECIMAL ±.01 THREE PLACE DECIMAL ±.005	ARMORTEX® BULLET • BLAST • FORCED ENTRY - PROTECTION PRODUCTS 5926 CORRIDOR PKWY SCHERTZ, TX 78154 TEL: 210-661-8306 800-880-8306 FAX: 210-661-8308 www.armortex.com
DATE: 06-01-2015	NOTE: WI-FW-HM-RS		
DRAWN BY: M. FREEMAN	SHEET NUMBER: 1 OF 1		