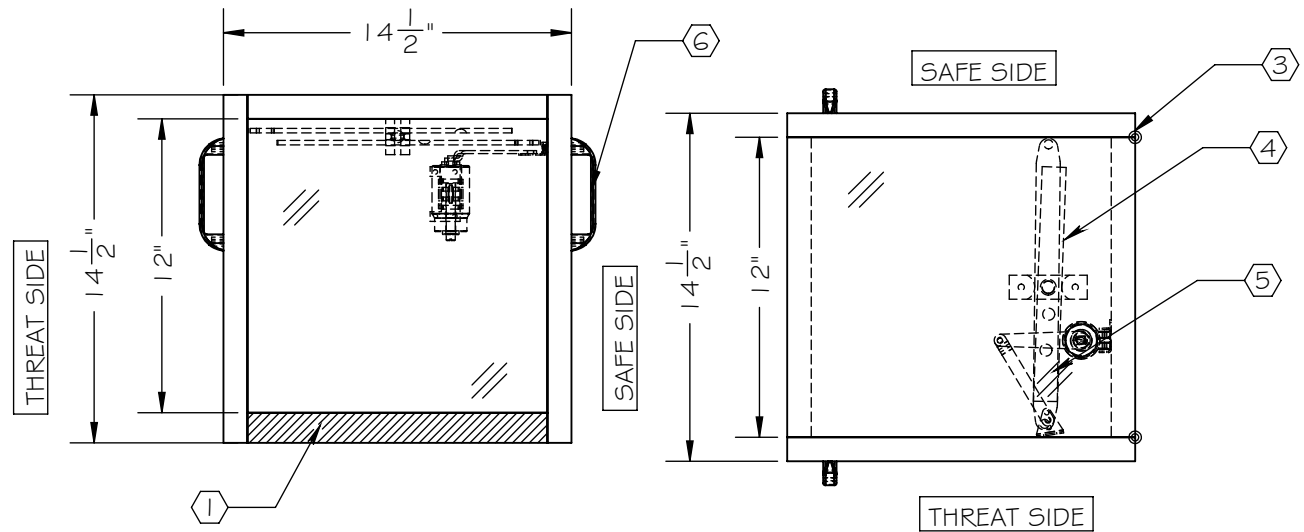


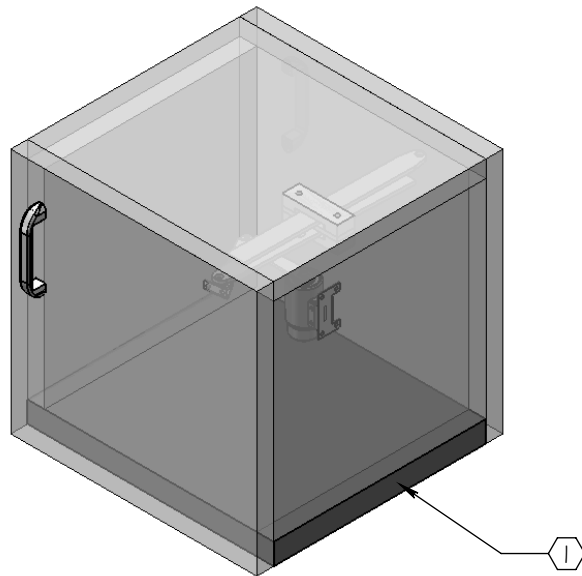
NOTES:

- ① HIGH PRESSURE LAMINATED PLASTIC BASE
- ② AUTOMATIC DOOR CLOSER
- ③ STAINLESS STEEL HINGE
- ④ DOOR INTERLOCK MECHANISM
- ⑤ ARMORTEX[®] BULLET RESISTANT LAMINATED POLYCARBONATE
- ⑥ HANDLE

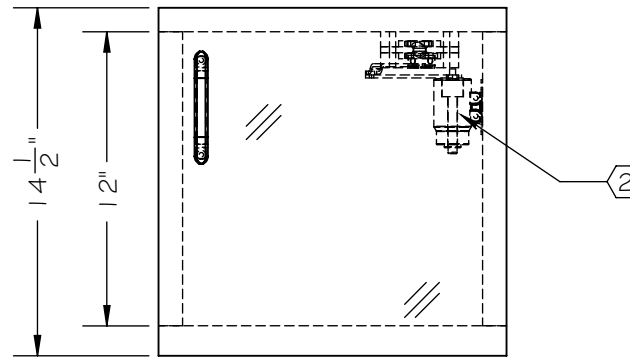


SIDE VIEW
SCALE 1 : 8

TOP VIEW
SCALE 1 : 8



ISOMETRIC VIEW
SCALE 1 : 8



ELEVATION VIEW
SCALE 1 : 8

SCALE: AS NOTED	TITLE: PACKAGE RECIEVER TPR-1414	UNLESS OTHERWISE SPECIFIED: DIMENSIONS ARE IN INCHES TOLERANCES: FRACTIONAL: ±1/16" ANGULAR: ±1° TWO PLACE DECIMAL ±.01 THREE PLACE DECIMAL ±.005	ARMORTEX[®] BULLET • BLAST • FORCED ENTRY - PROTECTION PRODUCTS 5926 CORRIDOR PKWY SCHERTZ, TX 78154 TEL: 210-661-8306 800-880-8306 FAX: 210-661-8308 www.armortex.com
DATE: 06-26-2015	MODEL: TE-PA-TR-14.5		
DRAWN BY: M. FREEMAN	SHEET NUMBER: 1 OF 1		