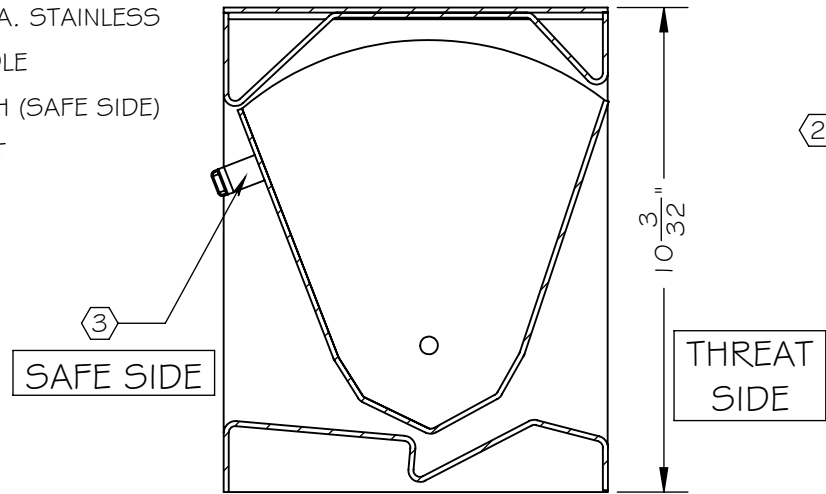
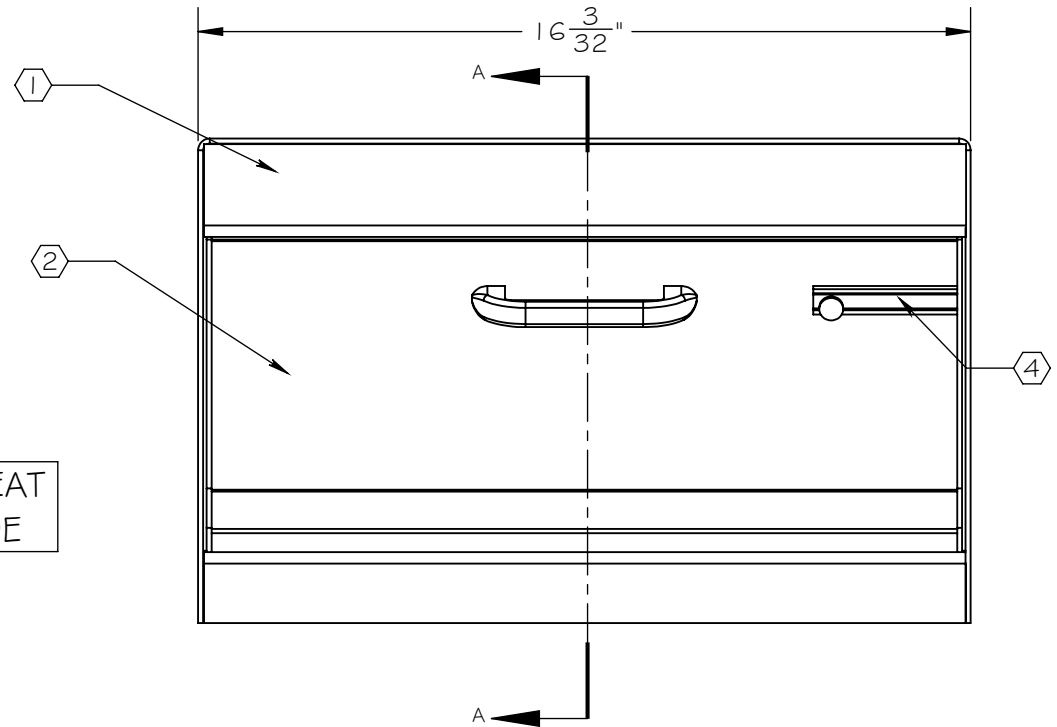


NOTES:

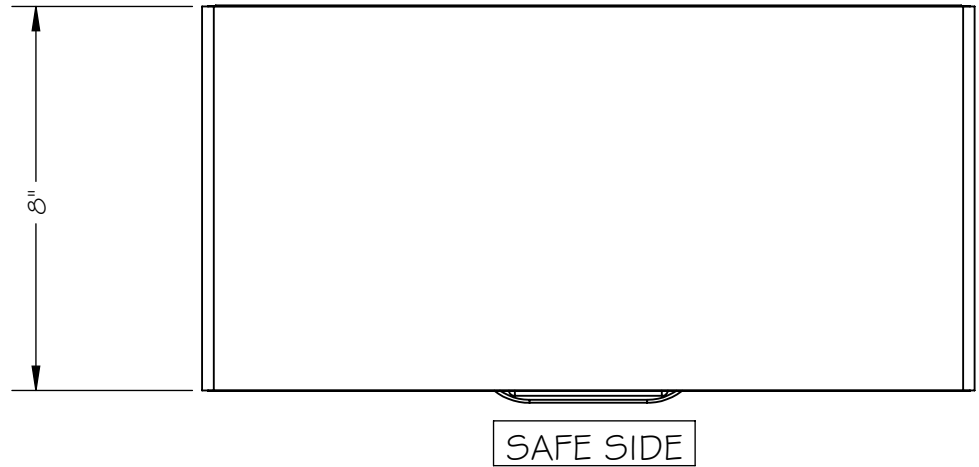
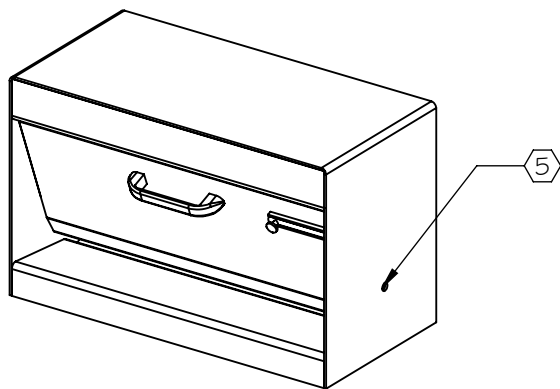
- ① 12 GA. STAINLESS
- ② 16 GA. STAINLESS
- ③ HANDLE
- ④ LATCH (SAFE SIDE)
- ⑤ PIVOT



SECTION A-A
SCALE 1 : 4



THREAT SIDE



SAFE SIDE

SCALE: AS NOTED	TITLE: PIVOT HOPPER PACKAGE RECEIVER	UNLESS OTHERWISE SPECIFIED: DIMENSIONS ARE IN INCHES TOLERANCES: FRACTIONAL: ±1/16" ANGULAR: ±1° TWO PLACE DECIMAL ±.01 THREE PLACE DECIMAL ±.005	ARMORTEX [®] BULLET • BLAST • FORCED ENTRY - PROTECTION PRODUCTS 5926 CORRIDOR PKWY SCHERTZ, TX 78154 TEL: 210-661-8306 800-880-8306 FAX: 210-661-8308 www.armortex.com
DATE: 10-30-2015	MODEL: TE-PA-PI-16		
DRAWN BY: M. FREEMAN	SHEET NUMBER: 1 OF 1		