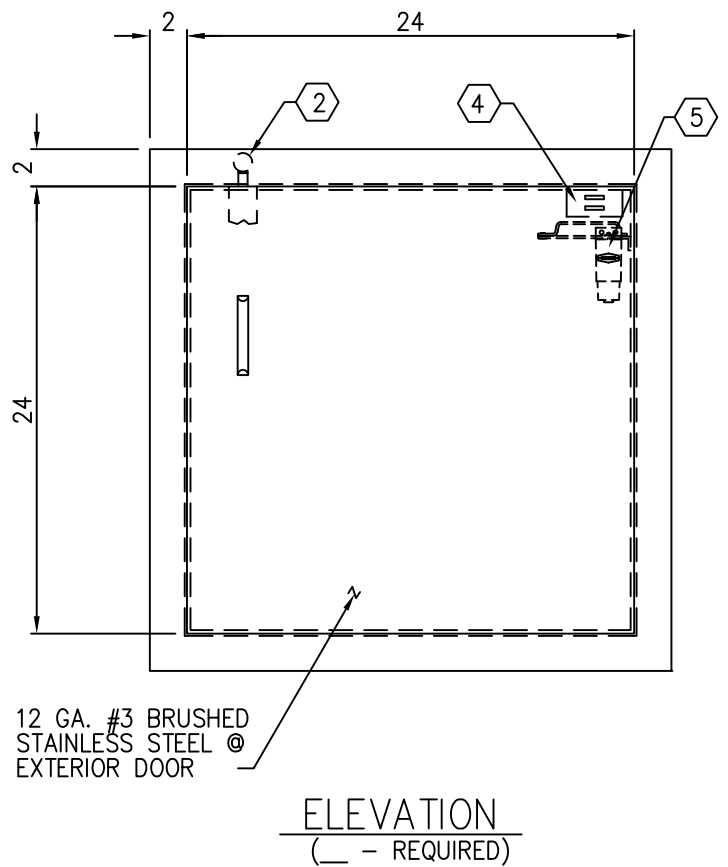
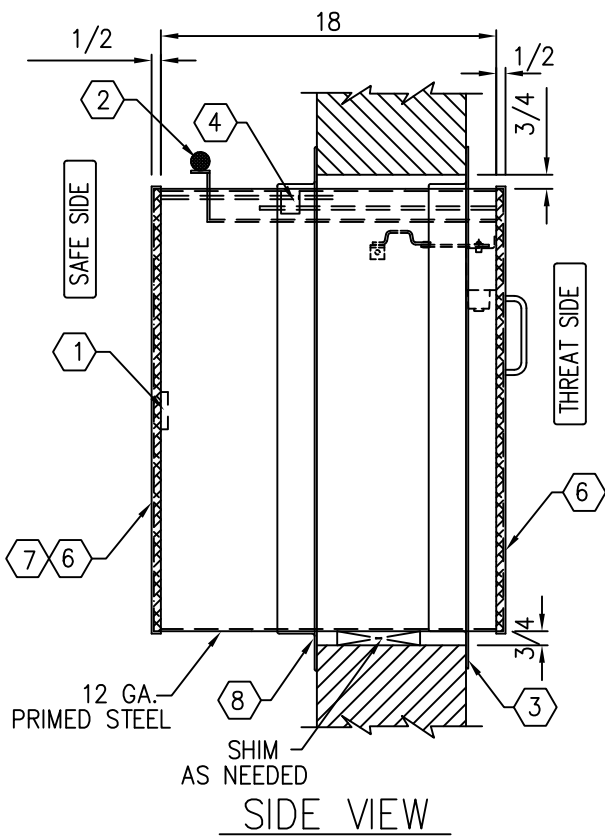
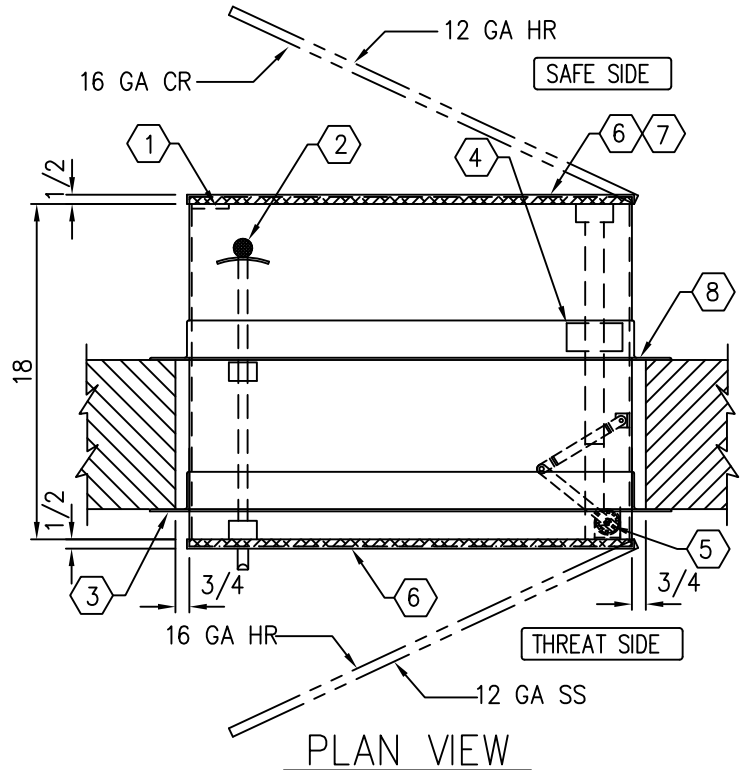


NOTES:

- 1 PADDLE LATCH WITH KEYLOCK
- 2 OUTSIDE DOOR RELEASE HANDLE
- 3 MOUNTING FLANGE (SHOP WELDED)
- 4 DOOR INTERLOCK SYSTEM
- 5 AUTOMATIC DOOR CLOSER
- 6 UL LISTED LEVEL 2 ARMORTEX® BULLET RESISTANT COMPOSITES IN DOORS
- 7 12 GA. PRIME PAINTED STEEL DOOR (STAINLESS STEEL OPTIONAL)
- 8 TWO PIECE 12 GA. ADJUSTABLE MOUNTING FLANGE (SHIPPED LOOSE)



C:\ARMORTEX MASTERS - 2007\PACKAGE RECEIVER\P1013001.DWG.DWG 02/15/07 @ 15:49 User: cperez

REVISIONS			ARMORTEX® BULLET / BLAST RESISTANT PRODUCTS 5926 CORRIDOR PKWY SCHERTZ, TX 78154 TEL: 210-661-8306 800-880-8306 FAX: 210-661-8308		BALLISTIC LEVEL 2	
No.	DESCRIPTION	DATE			DRN.BY:	DATE:
			B. LEWIS	02-18-08		
			CHKD.BY:	DATE:		
			DRAWING No.	SHEET		
			P1013001	1 OF 1		
TITLE: ARMORTEX® BULLET RESISTANT PACKAGE RECEIVER SSPR-2424			PROJECT NAME:			
UNLESS OTHERWISE SPECIFIED ALL DIMENSIONS ARE IN INCHES			SCALE	PROJECT No.		
			NONE			