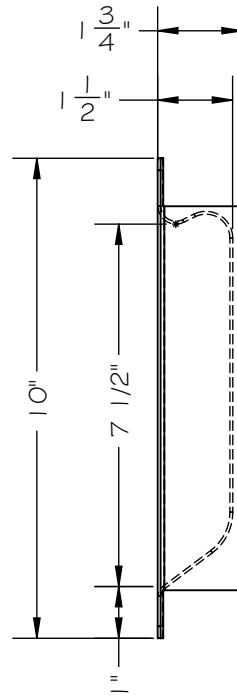
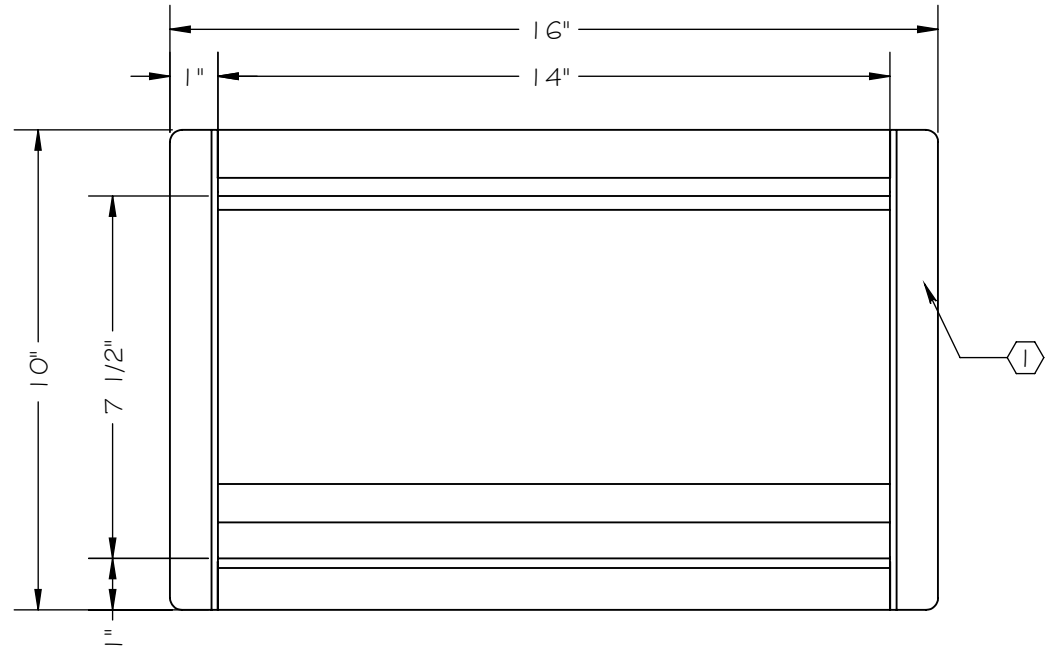


NOTES:

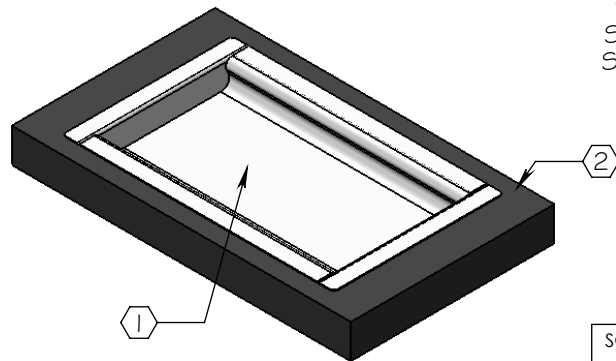
- ① 16 GA. STAINLESS STEEL DIP TRAY WITH #3 SATIN BRUSHED FINISH
- ② COUNTER TOP (AS REQUIRED)
- ③ 14 3/8" X 8 1/4" CUTOUT REQUIRED (NOT SHOWN)



SIDE VIEW
SCALE 1:4



TOP VIEW
SCALE 1:4



SCALE: AS NOTED	TITLE: DEAL TRAY NON-RICOCHET RMDT-1016	UNLESS OTHERWISE SPECIFIED: DIMENSIONS ARE IN INCHES TOLERANCES: FRACTIONAL: $\pm 1/16"$ ANGULAR: $\pm 1^\circ$ TWO PLACE DECIMAL: $\pm .01$ THREE PLACE DECIMAL: $\pm .005$	ARMORTEX [®] BULLET • BLAST • FORCED ENTRY - PROTECTION PRODUCTS 5926 CORRIDOR PKWY SCHERTZ, TX 78154 TEL: 210-661-8306 800-880-8306 FAX: 210-661-8308 www.armortex.com
DATE: 06-26-2015	MODEL: TE-DT-N1-16		
DRAWN BY: M. FREEMAN	SHEET NUMBER: 1 OF 1		