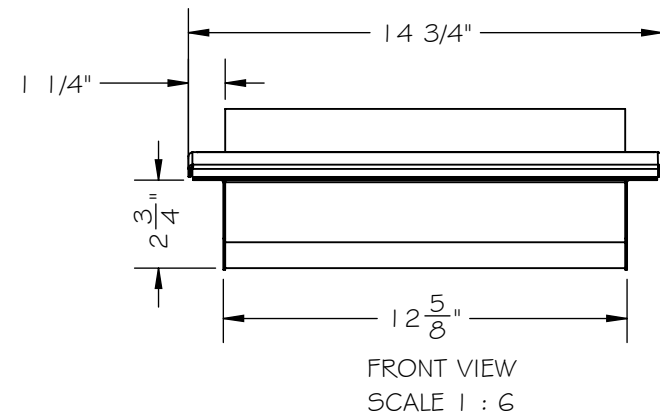
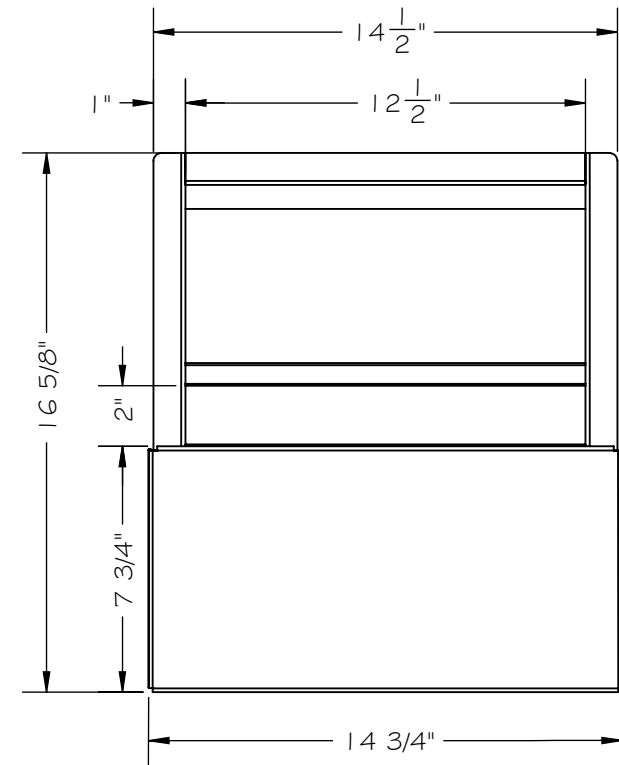
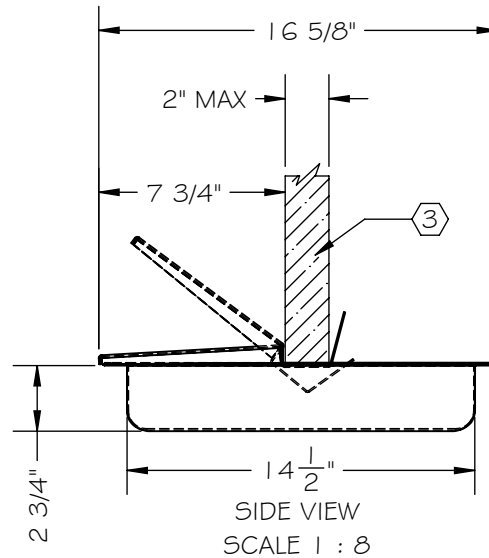
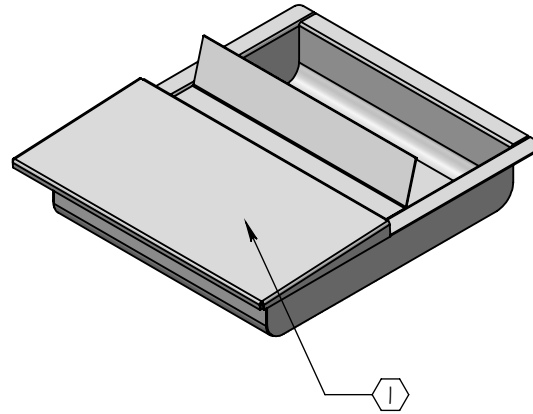


NOTES:

- ① 16 GA. STAINLESS STEEL DIP TRAY WITH #3 SATIN BRUSHED FINISH
- ② COUNTER TOP (AS REQUIRED) (NOT SHOWN)
- ③ ARMORTEX® BULLET RESISTANT GLAZING
- ④ 14 3/4" X 12 3/4" CUTOUT REQUIRED



SCALE: AS NOTED	TITLE: DEAL TRAY STAINLESS STEEL RMDT-1416	UNLESS OTHERWISE SPECIFIED: DIMENSIONS ARE IN INCHES TOLERANCES: FRACTIONAL: ±1/16" ANGULAR: ±1° TWO PLACE DECIMAL: ±.01 THREE PLACE DECIMAL: ±.005	ARMORTEX® BULLET • BLAST • FORCED ENTRY - PROTECTION PRODUCTS 5926 CORRIDOR PKWY SCHERTZ, TX 78154 TEL: 210-661-8306 800-880-8306 FAX: 210-661-8308 www.armortex.com
DATE: 06-26-2015	MODEL: TE-DT-14-16		
DRAWN BY: M. FREEMAN	SHEET NUMBER: 1 OF 1		