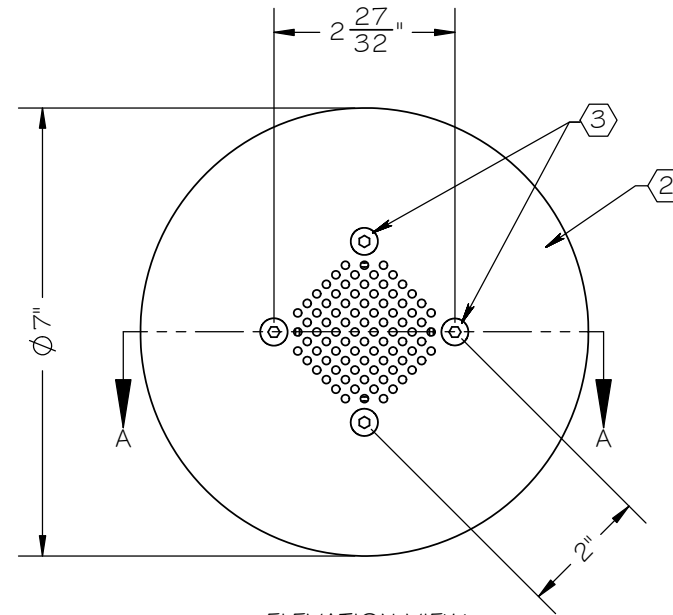
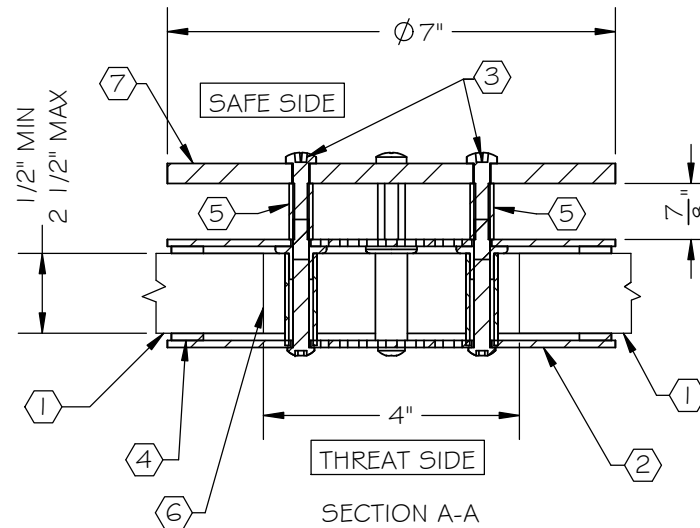


NOTES:

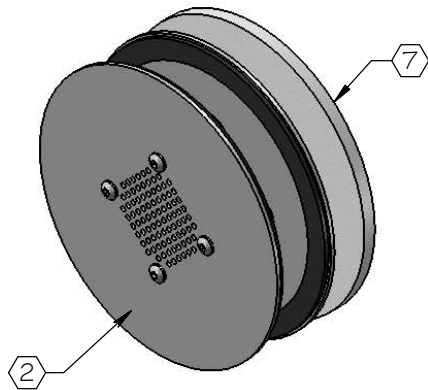
- ① ARMORTEX® BULLET RESISTANT GLAZING  
(SEE SECTION A-A FOR ACCEPTABLE THICKNESS)
- ② STAINLESS STEEL SPEAKER
- ③ 1/4" Ø STAINLESS STEEL SCREWS
- ④ GLAZING TAPE
- ⑤ SPACER NUTS
- ⑥ HOLE IN GLAZING TO BE 4"
- ⑦ BALISTIC STEEL



ELEVATION VIEW  
SCALE 1 : 3



SECTION A-A  
SCALE 1 : 3



ISOMETRIC VIEW  
SCALE 1 : 4

SCALE: AS NOTED	TITLE: SPEAKER SS. PASSIVE VOICE BALLISTIC LEVEL 1-8	UNLESS OTHERWISE SPECIFIED: DIMENSIONS ARE IN INCHES TOLERANCES: FRACTIONAL: ±1/16" ANGULAR: ±1° TWO PLACE DECIMAL ±.01 THREE PLACE DECIMAL ±.005	<b>ARMORTEX®</b> BULLET • BLAST • FORCED ENTRY - PROTECTION PRODUCTS 5926 CORRIDOR PKWY SCHERTZ, TX 78154 TEL: 210-661-8306 800-880-8306 FAX: 210-661-8308 www.armortex.com
DATE: 09-20-2017	MODEL: SP-SS-PV-GA		
DRAWN BY: T. MILLER	SHEET NUMBER: 1 OF 1		