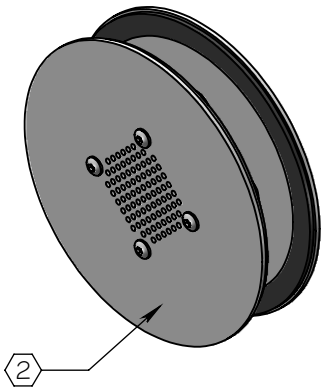
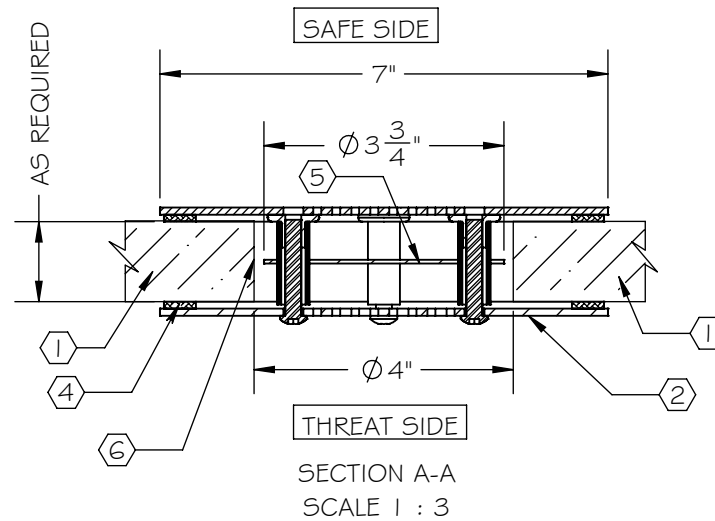
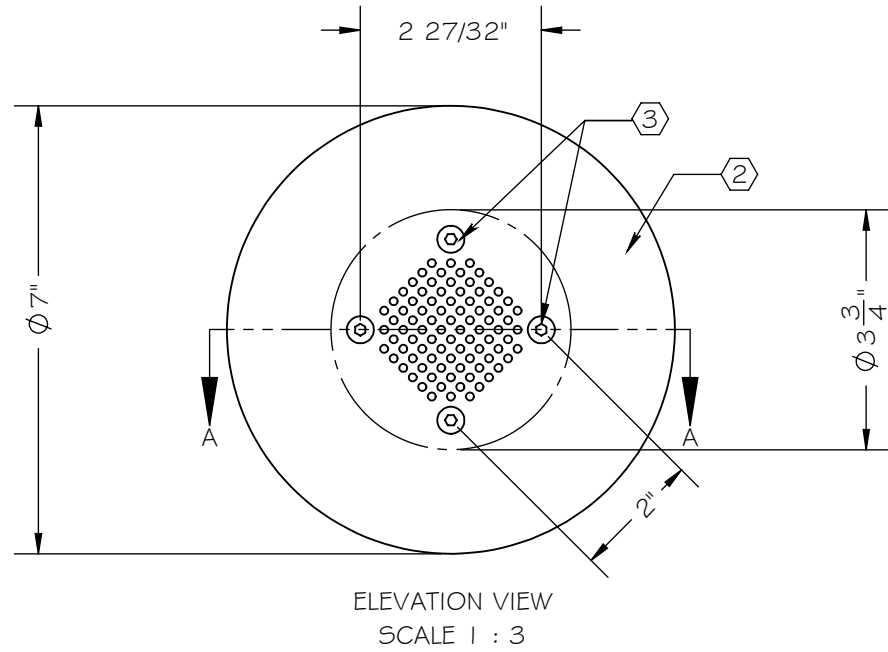


NOTES:

- ① ARMORTEX® BULLET RESISTANT GLAZING
- ② STAINLESS STEEL SPEAKER
- ③ 1/4" Ø TAMPER PROOF SCREWS
- ④ GLAZING TAPE
- ⑤ CONTRABAND BAFFLE
- ⑥ HOLE IN GLAZING TO BE 4"



SCALE: AS NOTED	TITLE: SPKR. SS. PASSIVE VOICE CONTABAND BAFFLE	UNLESS OTHERWISE SPECIFIED: DIMENSIONS ARE IN INCHES TOLERANCES: FRACTIONAL: ±1/16" ANGULAR: ±1° TWO PLACE DECIMAL ±.01 THREE PLACE DECIMAL ±.005	<b>ARMORTEX®</b> BULLET • BLAST • FORCED ENTRY - PROTECTION PRODUCTS <b>5926 CORRIDOR PKWY SCHERTZ, TX 78154</b> TEL: 210-661-8306 800-880-8306 FAX: 210-661-8308 <a href="http://www.armortex.com">www.armortex.com</a>
DATE: 06-24-2015	MODEL: SP-SS-PV-CB		
DRAWN BY: M. FREEMAN	SHEET NUMBER: 1 OF 1		