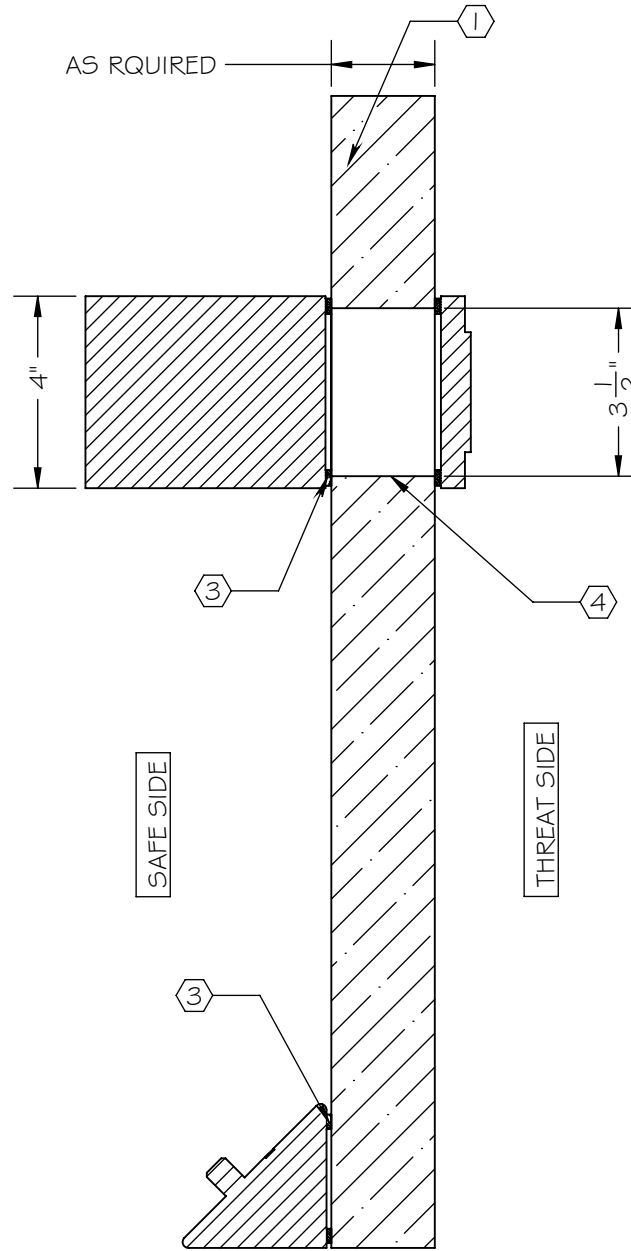
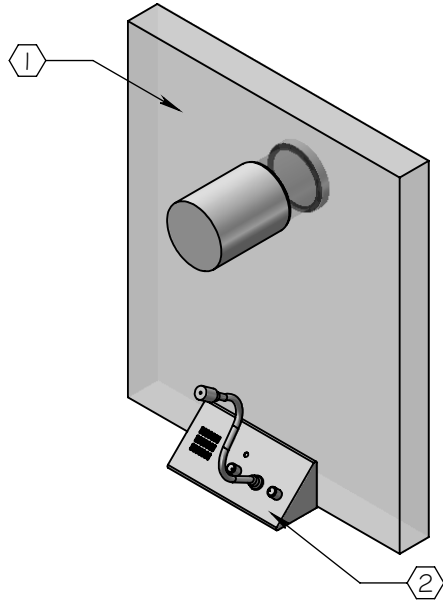
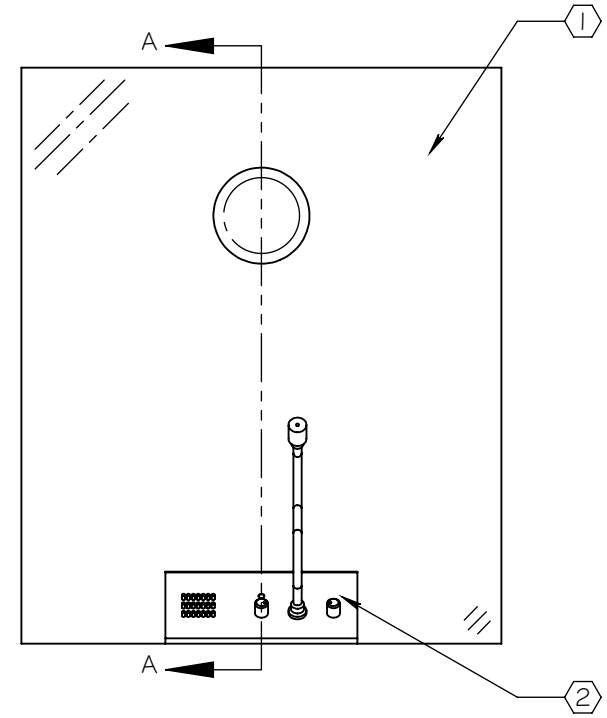


NOTES:

- ① ARMORTEX® BULLET RESISTANT GLAZING
- ② ALUMINUM SPEAKER
- ③ GASKETING
- ④ HOLE IN GLAZING TO BE 3 1/2"



SECTION A-A  
SCALE 1 : 4



ELEVATION VIEW  
SCALE 1 : 8

SCALE: AS NOTED	TITLE: SPEAKER ELECTRONIC HAVEN TECH. SC350	UNLESS OTHERWISE SPECIFIED: DIMENSIONS ARE IN INCHES TOLERANCES: FRACTIONAL: ±1/16" ANGULAR: ±1° TWO PLACE DECIMAL ±.01 THREE PLACE DECIMAL ±.005	<b>ARMORTEX®</b> BULLET • BLAST • FORCED ENTRY - PROTECTION PRODUCTS 5926 CORRIDOR PKWY SCHERTZ, TX 78154 TEL: 210-661-8306 800-880-8306 FAX: 210-661-8308 www.armortex.com
DATE: 06-25-2015	MODEL: SP-EL-HT-35		
DRAWN BY: M. FREEMAN	SHEET NUMBER: 1 OF 1		