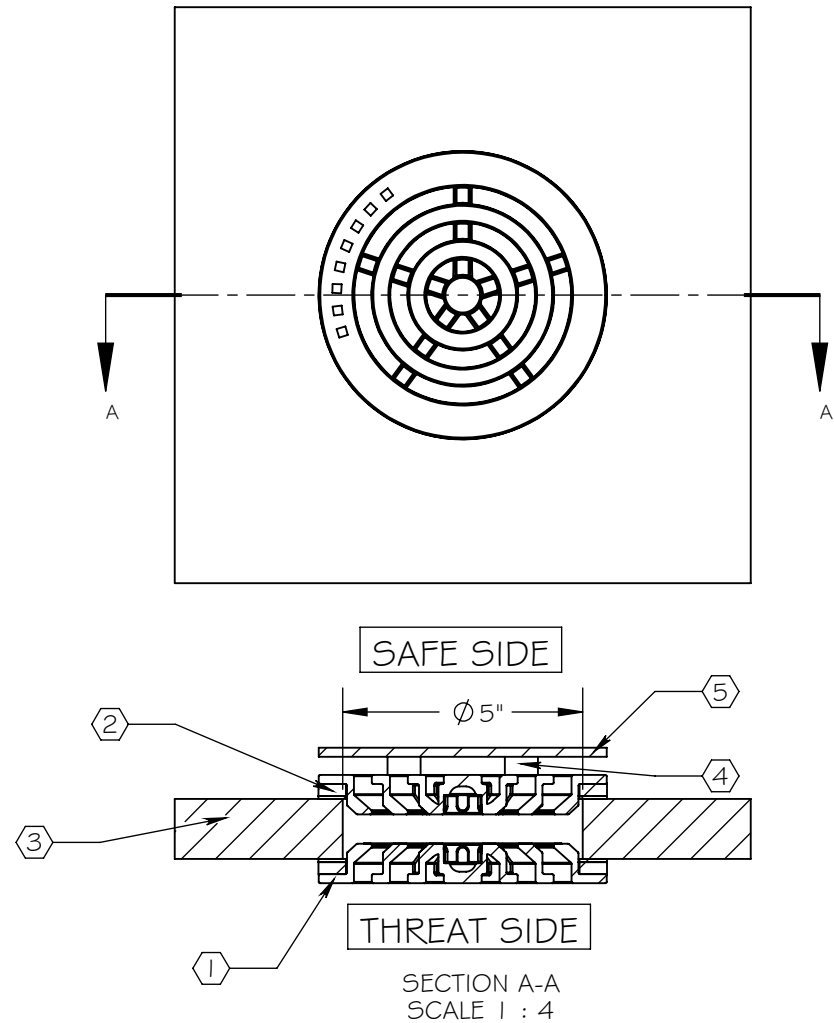
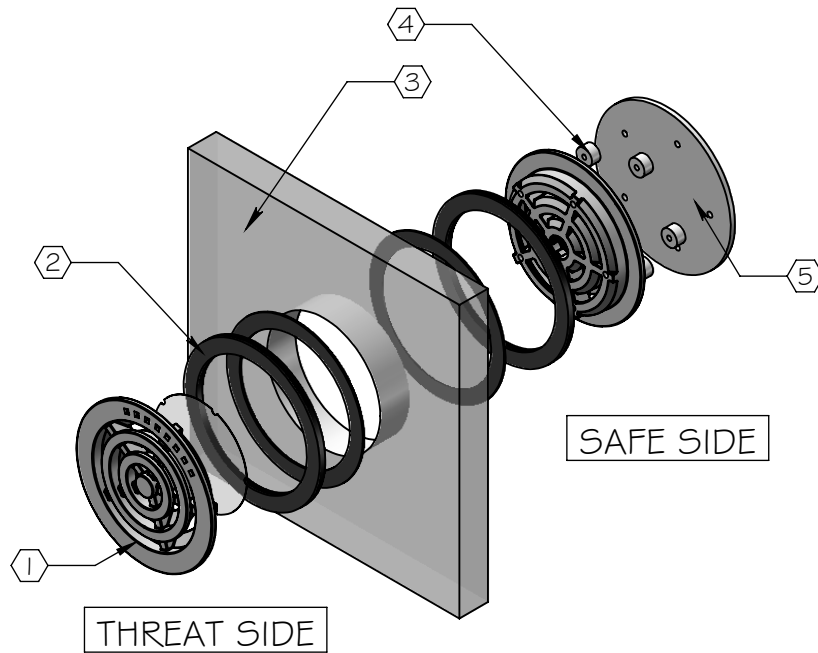


NOTES:

- ① CAST STAINLESS STEEL SPEAKER
- ② GASKETING
- ③ ARMORTEX BULLET RESISTANT GLAZING
- ④ NATURAL VOICE SPACERS
- ⑤ ARMORTEX BALLISTIC STEEL
- ⑥ 5" HOLE REQUIRED IN GLAZING



SCALE: AS NOTED	TITLE: CAST STAINLESS STEEL SPEAKER ANVS6	UNLESS OTHERWISE SPECIFIED: DIMENSIONS ARE IN INCHES TOLERANCES: FRACTIONAL: ±1/16" ANGULAR: ±1° TWO PLACE DECIMAL ±.01 THREE PLACE DECIMAL ±.005	ARMORTEX [®] BULLET • BLAST • FORCED ENTRY - PROTECTION PRODUCTS 5926 CORRIDOR PKWY SCHERTZ, TX 78154 TEL: 210-661-8306 800-880-8306 FAX: 210-661-8308 www.armortex.com
DATE: 08-24-2015	MODEL: SP-CS-NV-06		
DRAWN BY: M. FREEMAN	SHEET NUMBER: 1 OF 1		