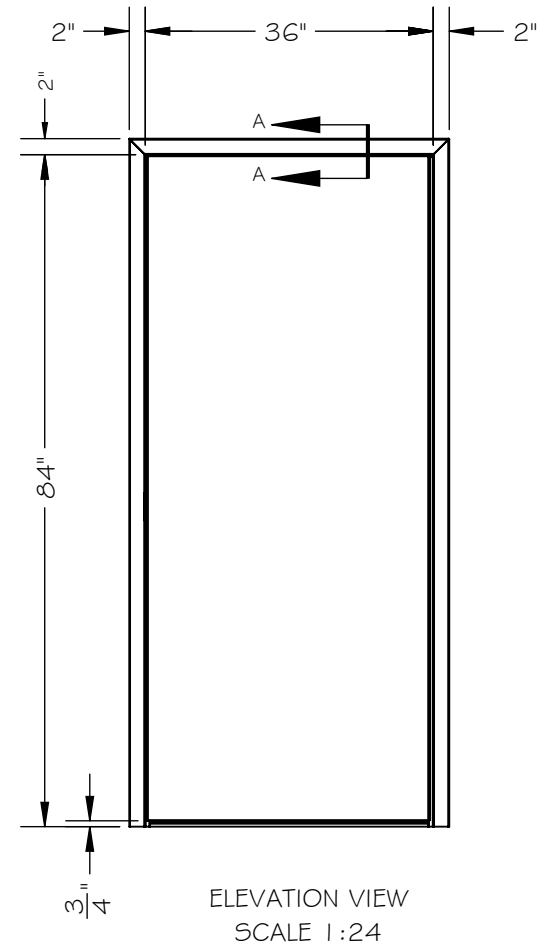
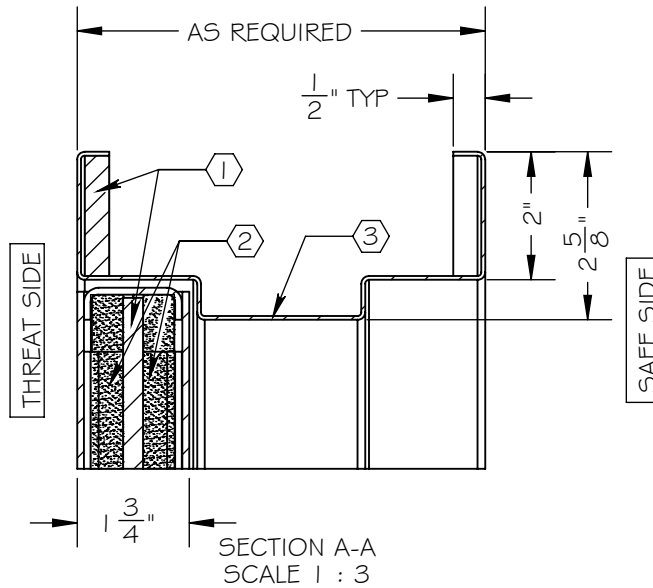
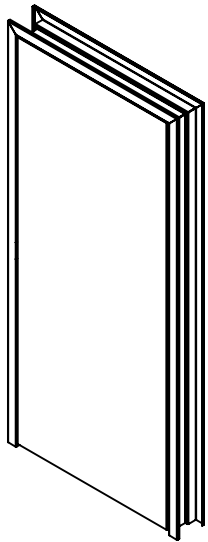


NOTES:

- ① ARMORTEX[®] BULLET RESISTANT ARMOR
- ② FOAMED INSULATION
- ③ 16 GA. PRIME PAINTED STEEL DOOR AND FRAME
- ④ CONTINUOUS GEAR HINGE (NOT SHOWN)
- ⑤ HARDWARE PREPARATION AS REQUIRED (NOT SHOWN)



SCALE: AS NOTED	TITLE: HOLLOW METAL FLUSH DOOR	UNLESS OTHERWISE SPECIFIED: DIMENSIONS ARE IN INCHES TOLERANCES: FRACTIONAL: $\pm 1/16"$ ANGULAR: $\pm 1^\circ$ TWO PLACE DECIMAL: $\pm .01$ THREE PLACE DECIMAL: $\pm .005$	ARMORTEX[®] BULLET • BLAST • FORCED ENTRY - PROTECTION PRODUCTS 5926 CORRIDOR PKWY SCHERTZ, TX 78154 TEL: 210-661-8306 800-880-8306 FAX: 210-661-8308 www.armortex.com
DATE: 05-27-2015	MODEL: DR-HM-NL-DB		
DRAWN BY: M. FREEMAN	SHEET NUMBER: 1 OF 1		