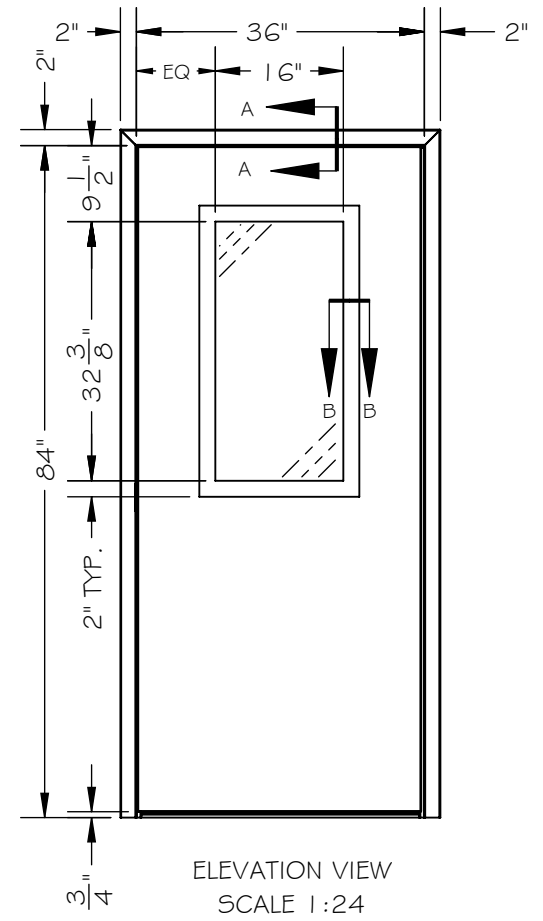
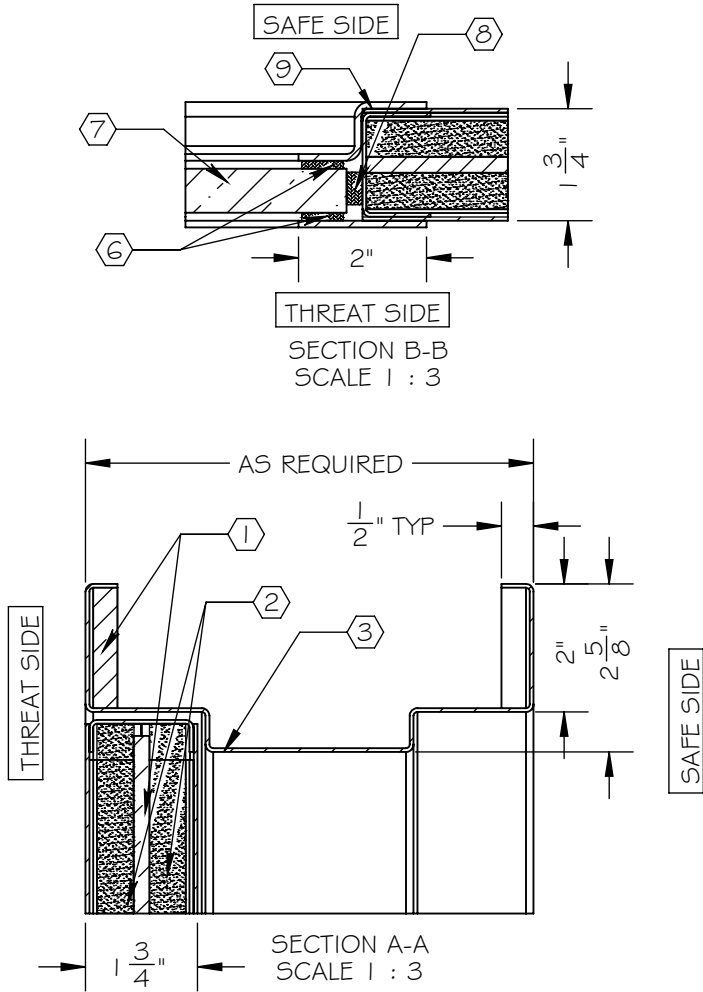
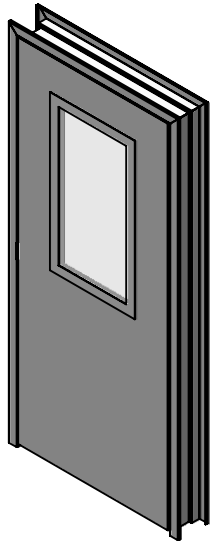


NOTES:

- ① ARMORTEX® BULLET RESISTANT ARMOR
- ② FOAMED INSULATION
- ③ 16 GA. PRIME PAINTED STEEL DOOR AND FRAME
- ④ CONTINUOUS GEAR HINGE (NOT SHOWN)
- ⑤ HARDWARE PREPARATION AS REQUIRED (NOT SHOWN)
- ⑥ GLAZING TAPE
- ⑦ BULLET RESISTANT GLAZING
- ⑧ NEOPRENE SETING BLOCK
- ⑨ LITE KIT



SCALE: AS NOTED	TITLE: HOLLOW METAL HALF LITE DOOR
DATE: 05-27-2015	MODEL: DR-HM-HL-DB
DRAWN BY: M. FREEMAN	SHEET NUMBER: 1 OF 1

UNLESS OTHERWISE SPECIFIED:
 DIMENSIONS ARE IN INCHES
 TOLERANCES:
 FRACTIONAL: ±1/16"
 ANGULAR: ±1°
 TWO PLACE DECIMAL: ±.01
 THREE PLACE DECIMAL: ±.005

ARMORTEX®
 BULLET • BLAST • FORCED ENTRY - PROTECTION PRODUCTS
 5926 CORRIDOR PKWY SCHERTZ, TX 78154
 TEL: 210-661-8306 800-880-8306 FAX: 210-661-8308
www.armortex.com