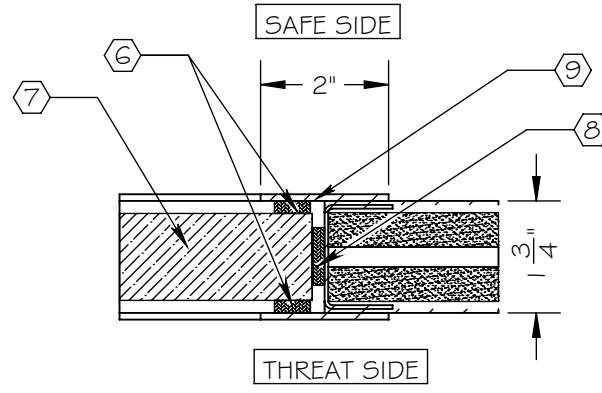
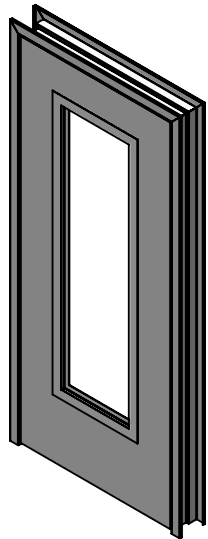
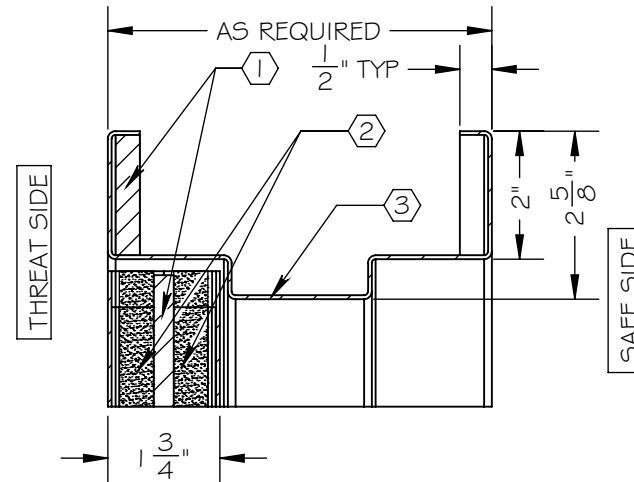


NOTES:

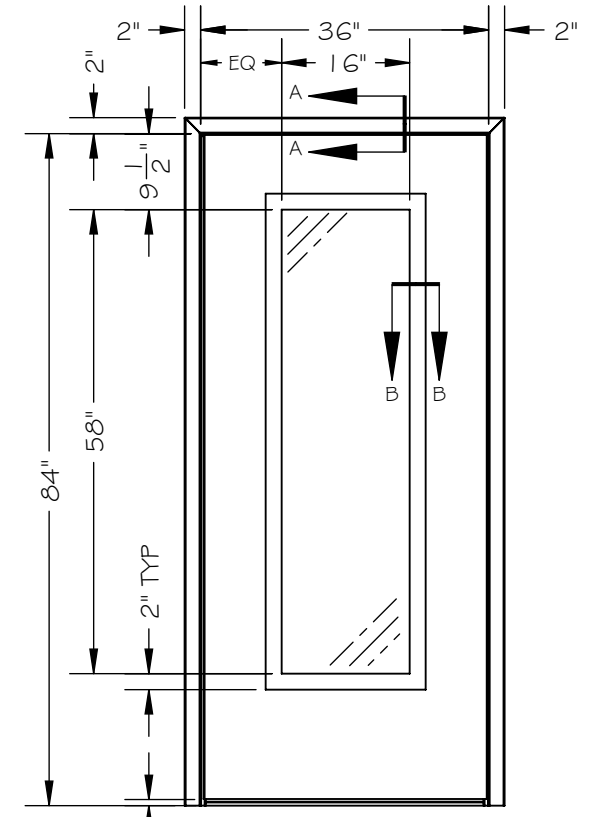
- ① ARMORTEX® BULLET RESISTANT ARMOR
- ② FOAMED INSULATION
- ③ 16 GA. PRIME PAINTED STEEL DOOR AND FRAME
- ④ CONTINUOUS GEAR HINGE (NOT SHOWN)
- ⑤ HARDWARE PREPARATION AS REQUIRED (NOT SHOWN)
- ⑥ GLAZING TAPE
- ⑦ BULLET RESISTANT GLAZING
- ⑧ NEOPRENE SETING BLOCK
- ⑨ LITE KIT



SECTION B-B
SCALE 1 : 3



SECTION A-A
SCALE 1 : 3



ELEVATION VIEW
SCALE 1 : 24

SCALE: AS NOTED	TITLE: HOLLOW METAL FULL LITE DOOR	<small>UNLESS OTHERWISE SPECIFIED: DIMENSIONS ARE IN INCHES TOLERANCES: FRACTIONAL: ±1/16" ANGULAR: ±1° TWO PLACE DECIMAL: ±.01 THREE PLACE DECIMAL: ±.005</small>	ARMORTEX® BULLET • BLAST • FORCED ENTRY - PROTECTION PRODUCTS 5926 CORRIDOR PKWY SCHERTZ, TX 78154 TEL: 210-661-8306 800-880-8306 FAX: 210-661-8308 www.armortex.com
DATE: 05-27-2015	MODEL: DR-HM-FL-DB		
DRAWN BY: M. FREEMAN	SHEET NUMBER: 1 OF 1		