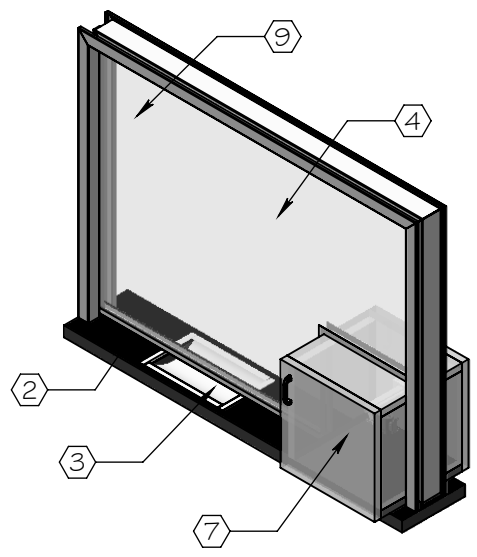
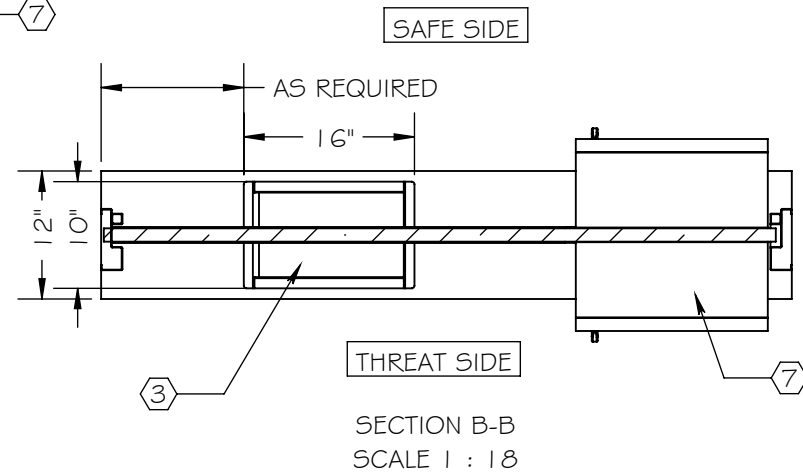
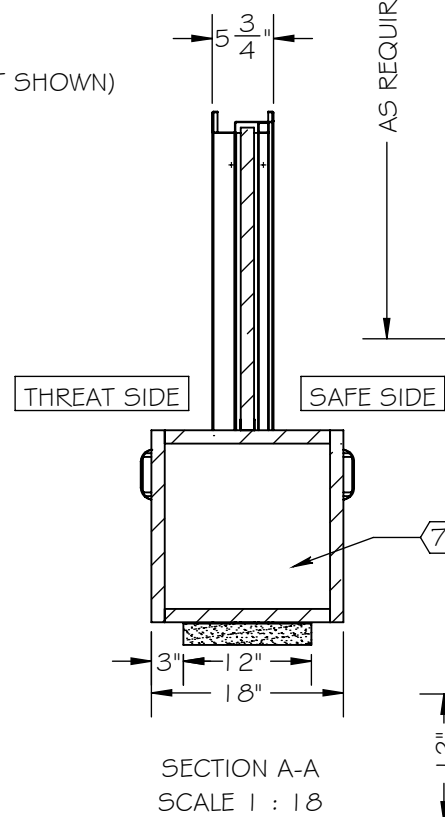
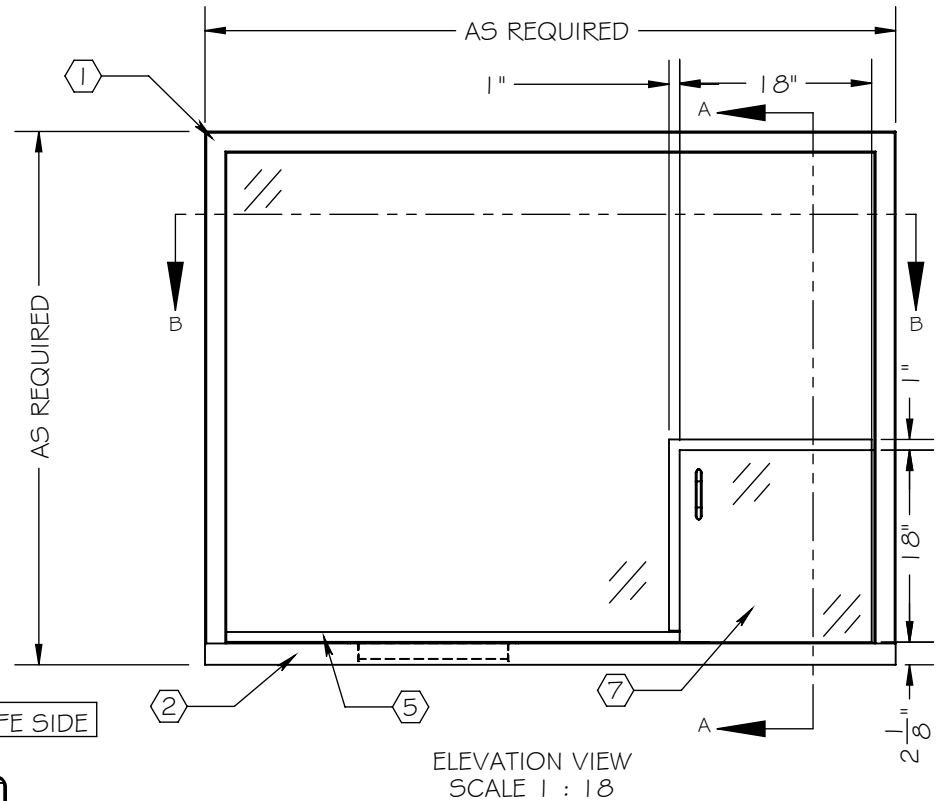


NOTES:

- ① 16 GA. PRIME PAINTED STEEL FRAME (STAINLESS STEEL OPTIONAL)
- ② HIGH PRESSURE LAMINATED BLACK PLASTIC SHELF (STAINLESS STEEL OPTIONAL)
- ③ STAINLESS STEEL DEAL TRAY
- ④ ARMORTEX® BULLET RESISTANT GLAZING
- ⑤ STAINLESS STEEL GLAZING CAP
- ⑥ ANCHORS AS REQUIRED (BY OTHERS) (NOT SHOWN)
- ⑦ TRANSPARENT PACKAGE RECIEVER



SCALE: AS NOTED	TITLE: HM TRANSACTION WIN. PACKAGE RECIEVER	UNLESS OTHERWISE SPECIFIED: DIMENSIONS ARE IN INCHES TOLERANCES: FRACTIONAL: ±1/16" ANGULAR: ±1° TWO PLACE DECIMAL: ±.01 THREE PLACE DECIMAL: ±.005	<b>ARMORTEX®</b> BULLET • BLAST • FORCED ENTRY - PROTECTION PRODUCTS 5926 CORRIDOR PKWY SCHERTZ, TX 78154 TEL: 210-661-8306 800-880-8306 FAX: 210-661-8308 www.armortex.com
DATE: 09-21-2015	MODEL: WI-TW-HM-PR		
DRAWN BY: M. FREEMAN	SHEET NUMBER: 1 OF 1		