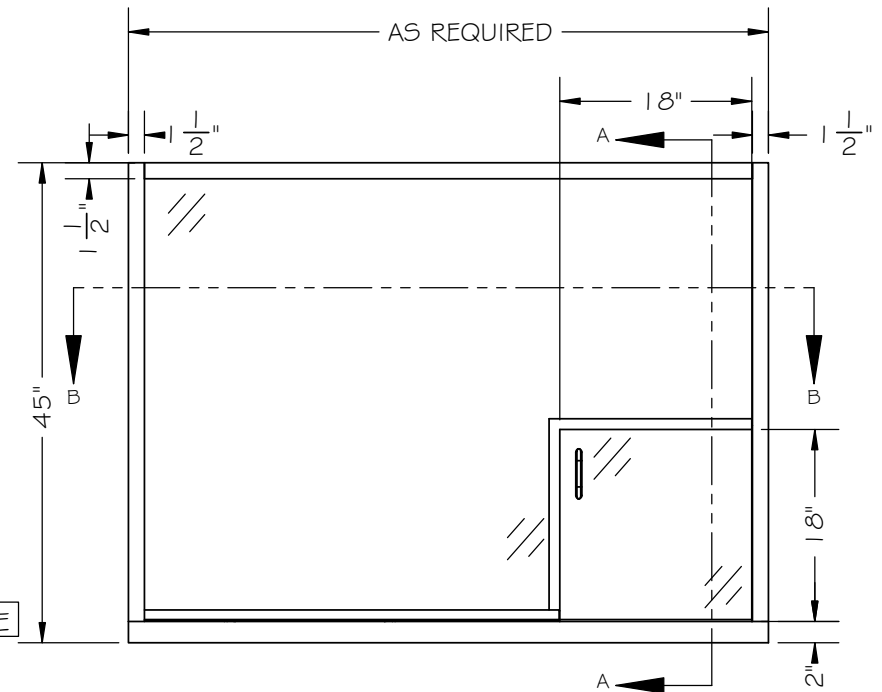
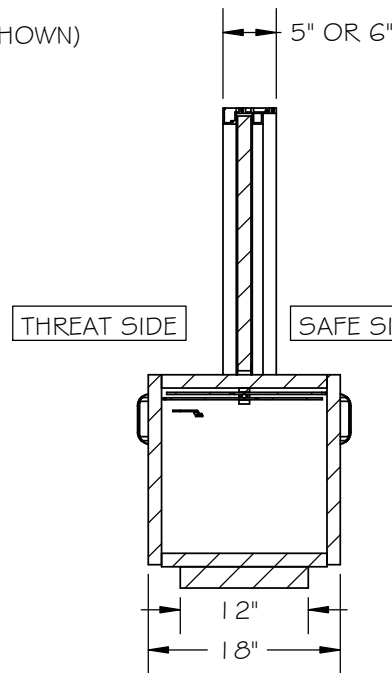


NOTES:

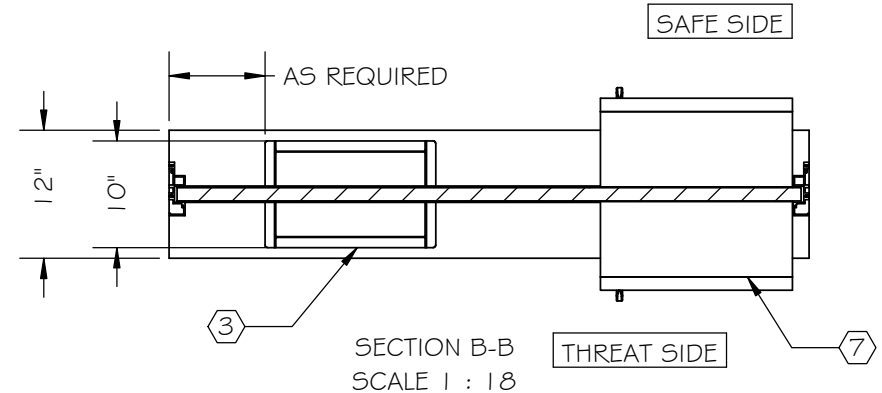
- ① ANODIZED ALUMINUM FRAME (CLEAR OR DARK BRONZE)
- ② HIGH PRESSURE LAMINATED BLACK PLASTIC SHELF (STAINLESS STEEL OPTIONAL)
- ③ STAINLESS STEEL DEAL TRAY
- ④ ARMORTEX[®] BULLET RESISTANT GLAZING
- ⑤ STAINLESS STEEL GLAZING CAP
- ⑥ ANCHORS AS REQUIRED (BY OTHERS) (NOT SHOWN)
- ⑦ TRANSPARENT PACKAGE RECIEVER



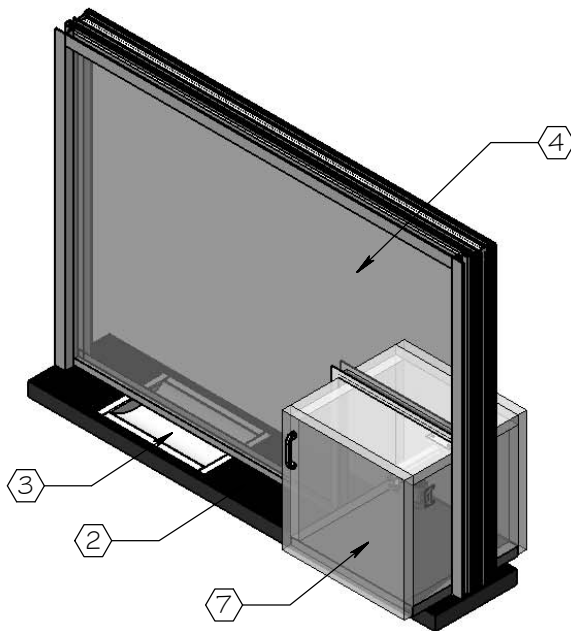
ELEVATION VIEW
SCALE 1 : 18



SECTION A-A
SCALE 1 : 18



SECTION B-B
SCALE 1 : 18



SCALE: AS NOTED	TITLE: AL TRANSACTION WIN. PACKAGE RECIEVER	<small>UNLESS OTHERWISE SPECIFIED: DIMENSIONS ARE IN INCHES TOLERANCES: FRACTIONAL: ±1/16" ANGULAR: ±1° TWO PLACE DECIMAL ±.01 THREE PLACE DECIMAL ±.005</small>
DATE: 09-21-2015	MODEL:	
DRAWN BY: M. FREEMAN	SHEET NUMBER: 1 OF 1	

ARMORTEX[®]
 BULLET • BLAST • FORCED ENTRY - PROTECTION PRODUCTS
 5926 CORRIDOR PKWY SCHERTZ, TX 78154
 TEL: 210-661-8306 800-880-8306 FAX: 210-661-8308
 www.armortex.com