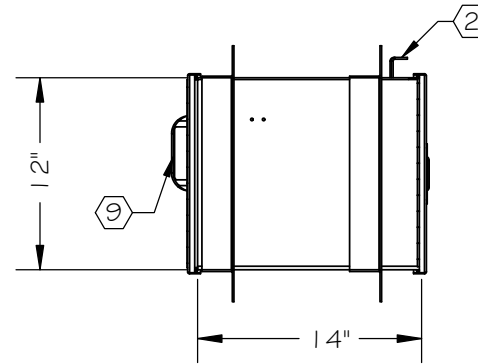
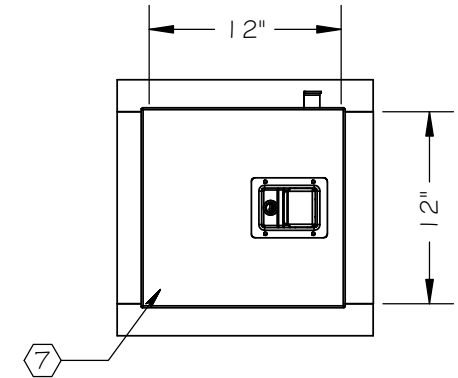


NOTES:

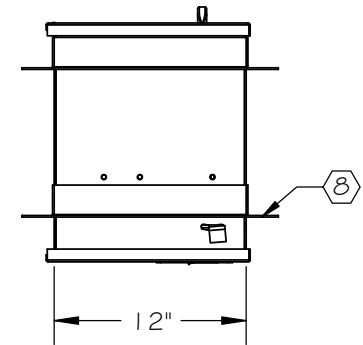
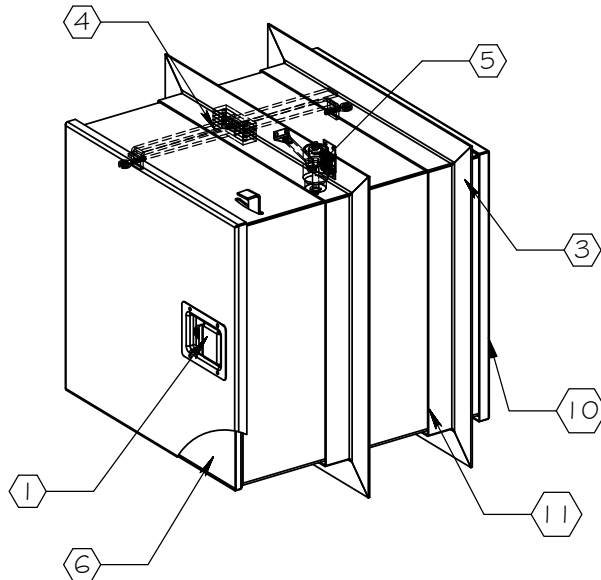
- ① PADDLE LATCH WITH KEYLOCK (SAFE SIDE DOOR)
- ② OUTSIDE DOOR RELEASE HANDLE
- ③ MOUNTING FLANGE (SHOP WELDED)
- ④ DOOR INTERLOCK MECHANISM
- ⑤ AUTOMATIC DOOR CLOSER
- ⑥ LEVEL 3 ARMORTEX® BULLET RESISTANT ARMOR IN DOORS
- ⑦ 16 GA. PRIME PAINTED DOOR
- ⑧ 12 GA. ADJUSTABLE MOUNTING FLANGE (SHIPPED LOOSE)
- ⑨ PULL HANDLE
- ⑩ STAINLESS STEEL THREAT SIDE DOOR
- ⑪ 12 GA. PRIME PAINTED STEEL BODY



SIDE VIEW
SCALE 1:12



ELEVATION VIEW
SCALE 1:12



TOP VIEW
SCALE 1:12

SCALE:	AS NOTED	TITLE:	PACKAGE RECEIVER, 12 X 12 X 14, BALLISTIC LEVEL 3
DATE:	09-04-2015	MODEL:	
DRAWN BY:	M. FREEMAN	SHEET NUMBER:	1 OF 1

UNLESS OTHERWISE SPECIFIED:
 DIMENSIONS ARE IN INCHES
 TOLERANCES:
 FRACTIONAL: ±1/16"
 ANGULAR: ±1°
 TWO PLACE DECIMAL: ±.01
 THREE PLACE DECIMAL: ±.005

ARMORTEX®
 BULLET • BLAST • FORCED ENTRY - PROTECTION PRODUCTS
 5926 CORRIDOR PKWY SCHERTZ, TX 78154
 TEL: 210-661-8306 800-880-8306 FAX: 210-661-8308
www.armortex.com