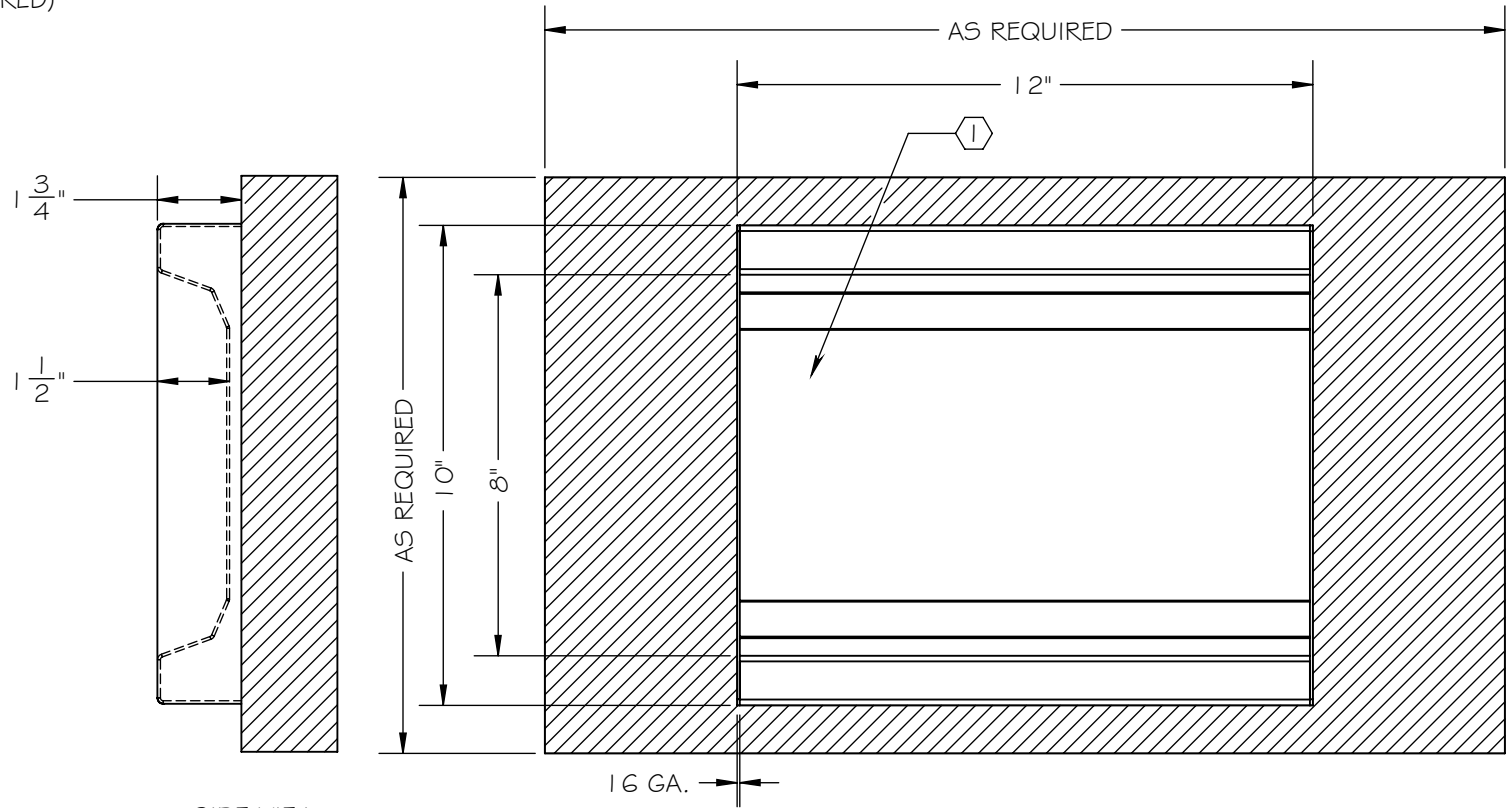


NOTES:

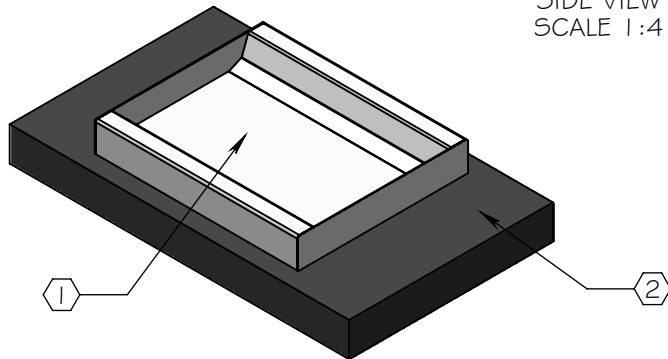
① 16 GA. STAINLESS STEEL DIP TRAY WITH #3 SATIN BRUSHED FINISH

② COUNTER TOP (AS REQUIRED)



SIDE VIEW  
SCALE 1:4

TOP VIEW  
SCALE 1:4



SCALE: AS NOTED	TITLE: DEAL TRAY STAINLESS STEEL SMDT-1012	UNLESS OTHERWISE SPECIFIED: DIMENSIONS ARE IN INCHES TOLERANCES: FRACTIONAL: $\pm 1/16"$ ANGULAR: $\pm 1^\circ$ TWO PLACE DECIMAL: $\pm .01$ THREE PLACE DECIMAL: $\pm .005$	<b>ARMORTEX</b> <sup>®</sup> BULLET • BLAST • FORCED ENTRY - PROTECTION PRODUCTS 5926 CORRIDOR PKWY SCHERTZ, TX 78154 TEL: 210-661-8306 800-880-8306 FAX: 210-661-8308 <a href="http://www.armortex.com">www.armortex.com</a>
DATE: 06-29-2015	MODEL: TE-DT-SM-10		
DRAWN BY: M. FREEMAN	SHEET NUMBER: 1 OF 1		