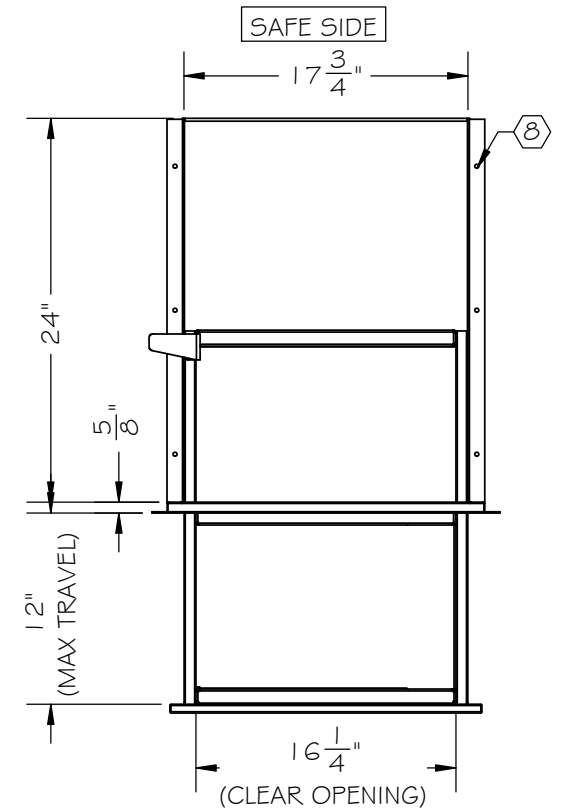
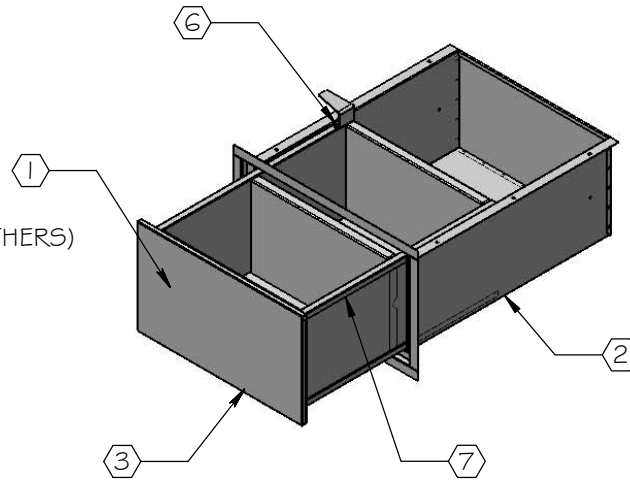


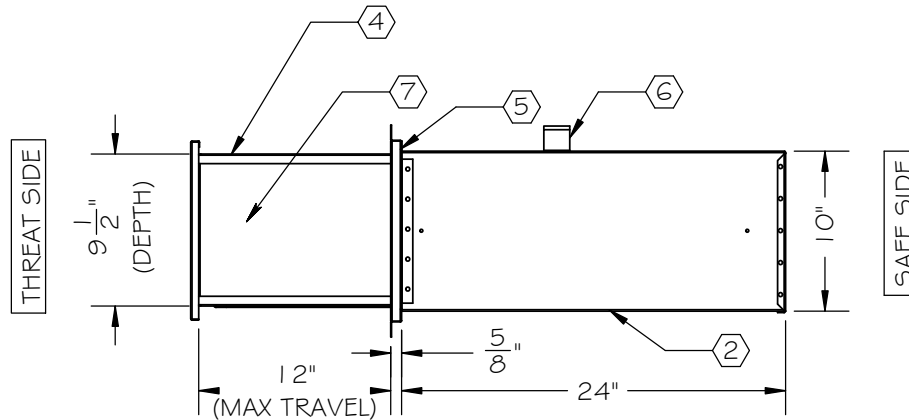
NOTES:

- ① ARMORTEX® BULLET RESISTANT COMPOSITES
- ② 16 GA. PRIME PAINTED STEEL CASE
- ③ 16 GA. STAINLESS STEEL DRAWER FRONT
- ④ STAINLESS STEEL DRAWER
- ⑤ 16 GA. STAINLESS STEEL FLANGE TRIM
- ⑥ STAINLESS STEEL RELEASE HANDLE
- ⑦ SLIDING DRAWER TRACKS
- ⑧ 1/4" DIA MOUNTING HOLES (SCREWS BY OTHERS)

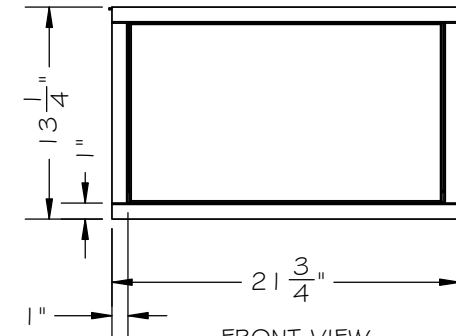


THREAT SIDE

TOP VIEW
SCALE 1:12



SIDE VIEW
SCALE 1:12



FRONT VIEW
SCALE 1:12

SCALE: AS NOTED	TITLE: TRANSACTION DRAWER SS-10D D	UNLESS OTHERWISE SPECIFIED: DIMENSIONS ARE IN INCHES TOLERANCES: FRACTIONAL: ±1/16" ANGULAR: ±1° TWO PLACE DECIMAL: ±.01 THREE PLACE DECIMAL: ±.005
DATE: 06-26-2015	MODEL: TE-DA-SS-10	
DRAWN BY: M. FREEMAN	SHEET NUMBER: 1 OF 1	

ARMORTEX®
BULLET • BLAST • FORCED ENTRY - PROTECTION PRODUCTS
5926 CORRIDOR PKWY SCHERTZ, TX 78154
TEL: 210-661-8306 800-880-8306 FAX: 210-661-8308
www.armortex.com