

# ARMORTEX® TRANSACTION WINDOW

## INSTALLATION INSTRUCTIONS

1. All lifting and handling of Armortex Transaction Windows should be accomplished in a manner to avoid placing undue stress on the attachment of the vertical channel at the parcel shelf. Ideally the use of heavy duty glass suction cups is recommended. Pay special attention to the "GLAZE THIS SIDE OUT" sticker.
2. Provide a finished opening in the wall with sufficient clearance to accept the transaction window.
3. Carefully lift the transaction window into finished opening and shim if required. Screw or anchor unit in place at the top and bottom of both verticals on each side of glass (8 total)

NOTE: Where counters of greater depth than shown are used, or where counters have been detached to better facilitate shipping, the installation should be done as follows.

1. If more than one unit is to be installed determine correct units for each opening as required.
2. Position counter and level in all directions.
3. Mark anchor holes through mounting clips if used due to excessive depth.
4. Remove counter and drill necessary holes.
5. Replace counter and secure anchors through mounting clips.
6. Position correct glazing and frame on counter, plumb, and attach as in #3 above.

## MAINTENANCE AND CLEANING

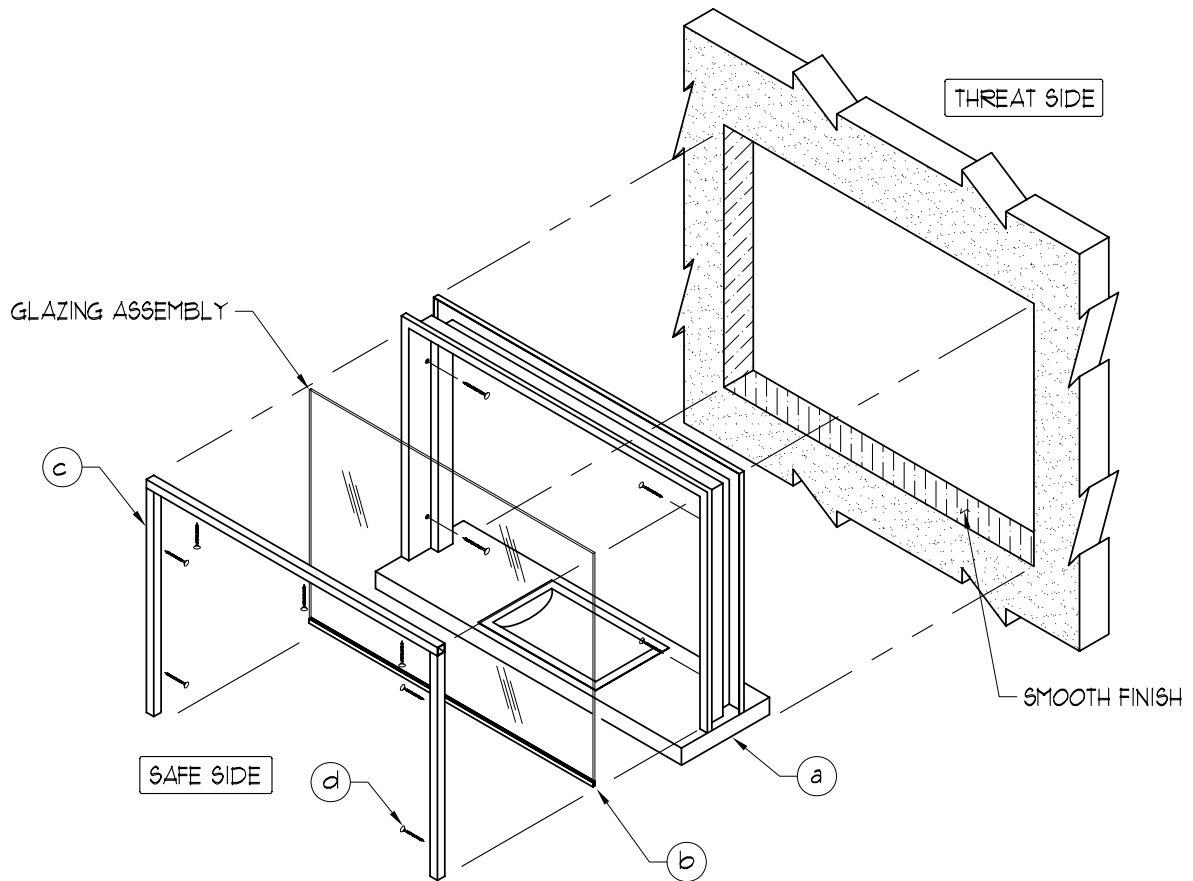
Never use abrasive type cleaning products such as "Comet" on bright metal frame or glazing. Regular cleaning with "Windex" type cleaner (liquid or spray liquid, non abrasive) on metal parts and glass only is recommended. For polycarbonates wash with a mild soap or detergent. Avoid excessive application of strong solvents.

C:\MASTERS\ARMORTEX\INSTALL\INS29500.DWG.DWG 03/11/03 @ 11:23 User: andy\_perez

REVISIONS			<b>ARMORTEX®</b> BULLET / BLAST RESISTANT PRODUCTS		BALLISTIC LEVEL	
No.	DESCRIPTION	DATE	5926 CORRIDOR PKWY SCHERTZ, TX 78154 TEL: 210-661-8306 800-880-8306 FAX: 210-661-8308		DRN.BY:	DATE:
			TITLE: ARMORTEX® BULLET RESISTANT TRANSACTION WINDOW INSTALLATION PROC.		A. Perez	03-14-03
			PROJECT NAME:		B. LEWIS	05-28-09
			UNLESS OTHERWISE SPECIFIED ALL DIMENSIONS ARE IN INCHES		SCALE NONE	PROJECT No.
					DRAWING No. INS29500	SHEET 1 OF 1

BUTT INSTALLATION IN FINISHED OPENING PROCEDURES:

- ① PROVIDE A FINISHED OPENING IN WALL. ADD 1/4" TO OVERALL HORIZONTAL DIM. AND ADD 1/8" TO OVERALL VERTICAL DIM. FOR CLEARANCE REQUIREMENT.
- ② INSTALL TRANSACTION WINDOW UNIT "a" INTO OPENING AND ANCHOR IT ONTO PLACE
- ③ INSTALL GLAZING TAPE AND BOTTOM GLAZING CAP "b" ONTO GLAZING
- ④ CAREFULLY SET GLAZING ASSEMBLY INTO FRAME
- ⑤ INSTALL REMOVABLE STOP "c" AND SCREW "d" INTO FRAME.



THREE SIDED HOLLOW METAL TRANSACTION WINDOW INSTALLATION  
(FIXED GLAZING)

C:\ARMORTEX MASTERS\INSTALLATION\INST9504.DWG.05/22/06 @ 11:17 User: operez

REVISIONS			ARMORTEX <sup>®</sup> BULLET / BLAST RESISTANT PRODUCTS		BALLISTIC LEVEL	
No.	DESCRIPTION	DATE	5926 CORRIDOR PKWY SCHERTZ, TX 78154		DRN.BY:	DATE:
			TEL: 210-661-8306 800-880-8306 FAX: 210-661-8308		A. PEREZ	03-14-03
			TITLE: ARMORTEX <sup>®</sup> BULLET RESISTANT TRANSACTION WINDOW INSTALLATION		CHKD.BY:	DATE:
			UNLESS OTHERWISE SPECIFIED ALL DIMENSIONS ARE IN INCHES		B. LEWIS	05-28-09
			SCALE: NONE	PROJECT No.	DRAWING No.	SHEET
					INST9504	1 OF 1