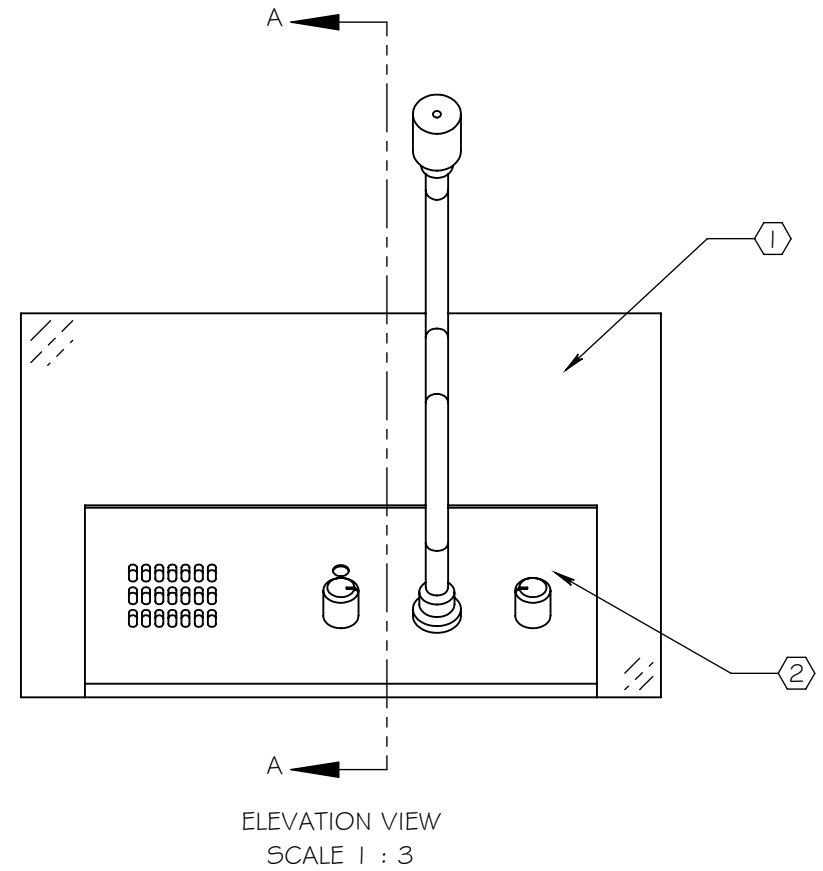
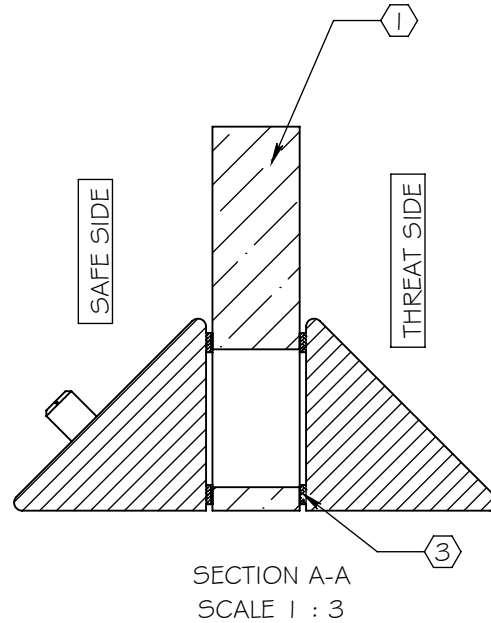
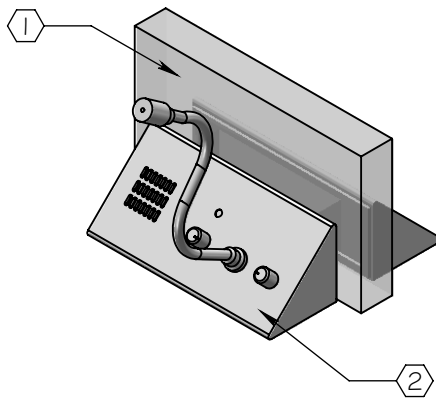


NOTES:

- ① ARMORTEX[®] BULLET RESISTANT GLAZING
- ② ALUMINUM SPEAKER
- ③ GLAZING TAPE



| | | | |
|----------------------|--|---|--|
| SCALE: AS NOTED | TITLE: SPEAKER ELECTRONIC HAVEN TECH. SC300 | UNLESS OTHERWISE SPECIFIED: DIMENSIONS ARE IN INCHES TOLERANCES: FRACTIONAL: ±1/16" ANGULAR: ±1° TWO PLACE DECIMAL ±.01 THREE PLACE DECIMAL ±.005 | ARMORTEX[®] BULLET • BLAST • FORCED ENTRY - PROTECTION PRODUCTS 5926 CORRIDOR PKWY SCHERTZ, TX 78154 TEL: 210-661-8306 800-880-8306 FAX: 210-661-8308 www.armortex.com |
| DATE: 06-25-2015 | MODEL: SP-EL-HT-03 | | |
| DRAWN BY: M. FREEMAN | SHEET NUMBER: 1 OF 1 | | |