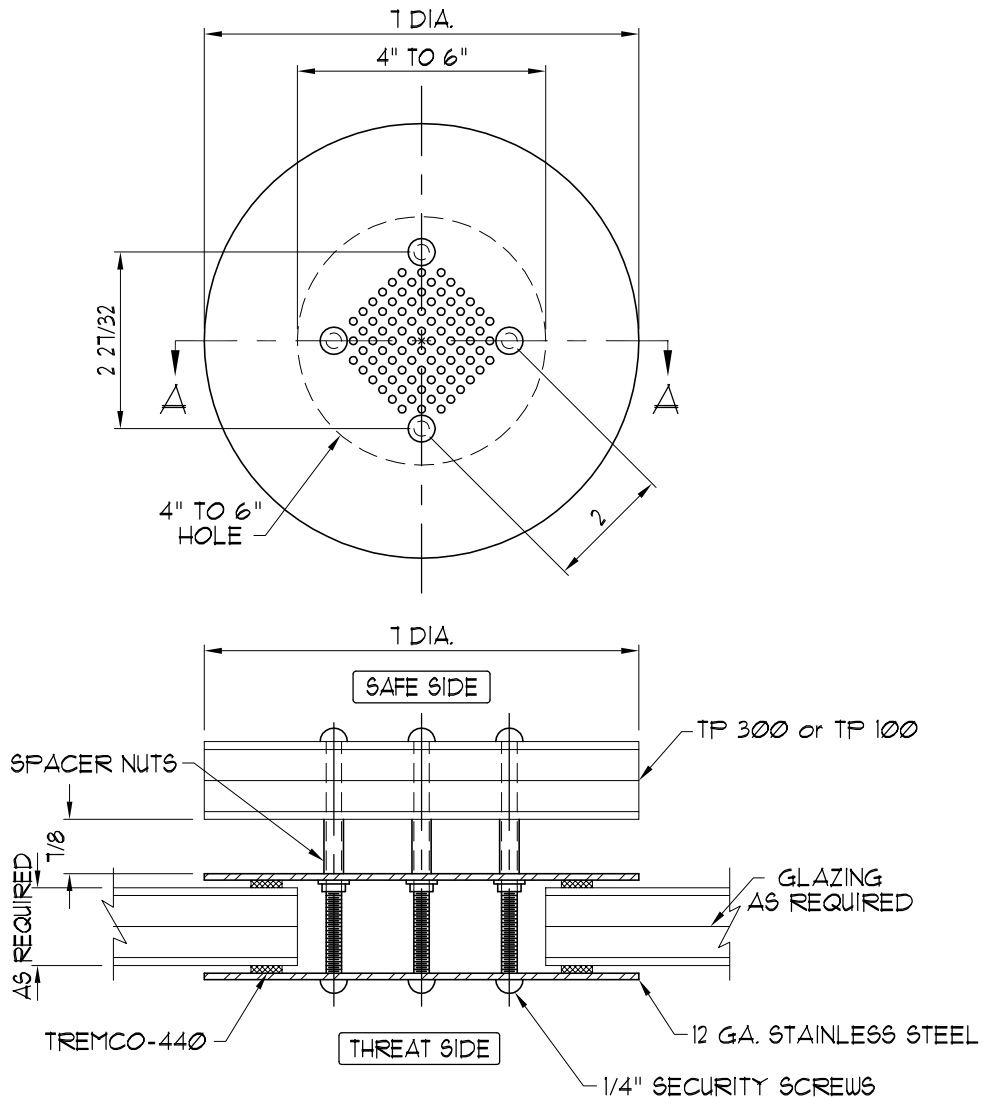


SSBRS-7 BULLET RESISTANT SPEAKER

INSTALLATION INSTRUCTIONS

1. Disassemble the unit, center the outer speaker plate over the hole in the glass, using TREMCO®440 Glazing Tape or equal as shown on the drawing.
2. Install 1/4" screws on the threat side of the window and insert the plastic spacers over the screw.
3. Center the inner speaker plate over the hole in the glass aligning the screw holes with the screws. DO NOT over tighten the screws to avoid glass damage.
4. Apply LOCK-TITE® to the ends of 1/4" screws and install 7/8" spacer nuts.
5. Remove protective masking and align holes in polycarbonate-TP 300 or TP 100 transparent disc with spacer nuts, apply LOCK-TITE® to 1/4" screws and tighten.



\\LEWIS\BARRY_C\ARMORTEX MASTERS - 2007\INSTALLATION\INST4000.DWG.DWG 12/31/08 @ 13:58 User: lmclaughlin

REVISIONS			ARMORTEX ® BULLET / BLAST RESISTANT PRODUCTS 5926 CORRIDOR PKWY SCHERTZ, TX 78154 TEL: 210-661-8306 800-880-8306 FAX: 210-661-8308		BALLISTIC LEVEL 1 & 3	
No.	DESCRIPTION	DATE			DRN.BY:	DATE:
			A. Perez	03-14-03		
			B. LEWIS	05-28-09		
TITLE: ARMORTEX® BULLET RESISTANT SSBRS-7 SPEAKER INSTALLATION UNLESS OTHERWISE SPECIFIED ALL DIMENSIONS ARE IN INCHES			PROJECT NAME:	DRAWING No. INST4000	SHEET 1 OF 1	
			SCALE: NONE	PROJECT No.		