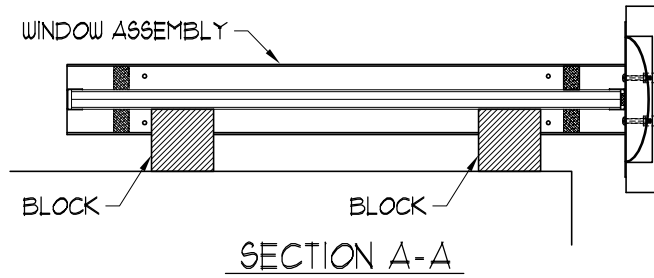
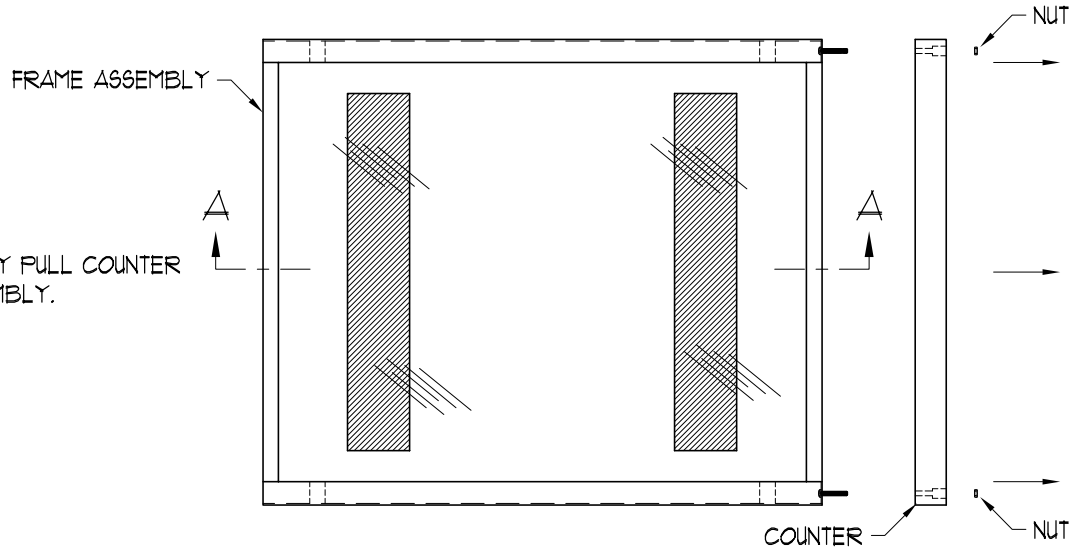


INSTRUCTIONS FOR THE REMOVAL OF DAMAGED GLAZING.

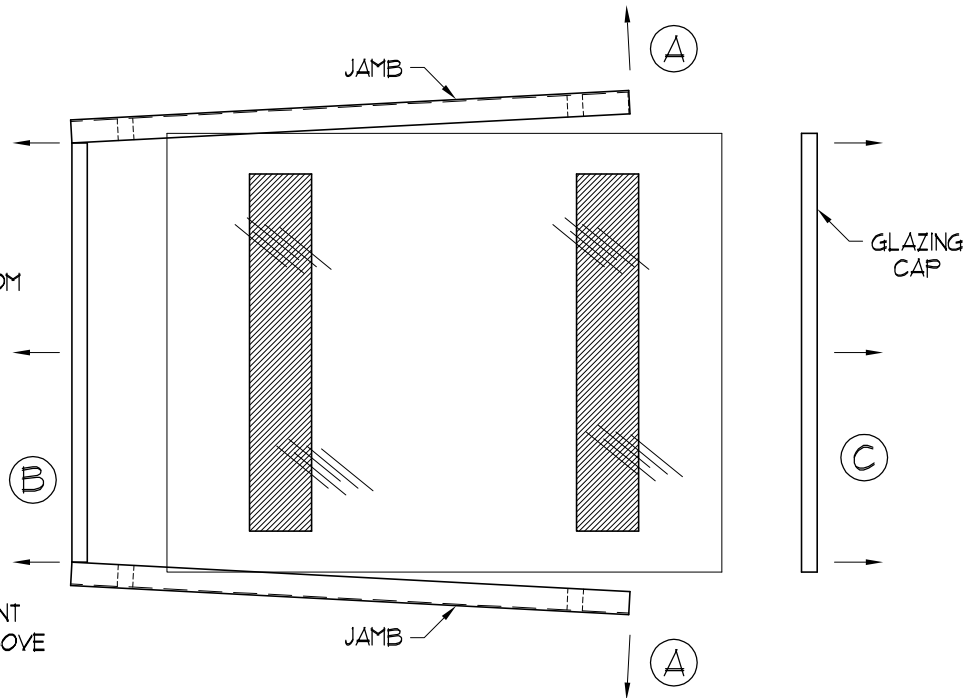
① LAY WINDOW ON BLOCKS SO THAT ENTIRE WEIGHT OF FRAME IS RESTING ON GLAZING.



② REMOVE NUTS AND GENTLY PULL COUNTER AWAY FROM FRAME ASSEMBLY.



③ PULL BOTTOM OF JAMBS AWAY FROM GLAZING (A), THEN PULL FRAME AWAY FROM GLAZING (B). GENTLY PULL GLAZING CAP AWAY FROM GLAZING (C).



④ FOR INSTALLATION OF REPLACEMENT GLAZING, SIMPLY REVERSE THE ABOVE STEPS.

C:\ARMORTEX MASTERS - 2007\INSTALLATION\INSTAL02.DWG.DWG 06/19/07 @ 08:32 User: aperez

REVISIONS			ARMORTEX ® BULLET / BLAST RESISTANT PRODUCTS 5926 CORRIDOR PKWY SCHERTZ, TX 78154 TEL: 210-661-8306 800-880-8306 FAX: 210-661-8308		BALLISTIC LEVEL	
No.	DESCRIPTION	DATE			DRN.BY:	DATE:
			A. Perez	03-14-03		
			B. LEWIS	05-28-09		
TITLE: ARMORTEX® BULLET RESISTANT WINDOW GLAZING INSTALLATION UNLESS OTHERWISE SPECIFIED ALL DIMENSIONS ARE IN INCHES			PROJECT NAME:		DRAWING No.	SHEET
			SCALE	PROJECT No.	INSTAL02	1 OF 1
MODEL SSTW			NONE			