

ARMORTEX® TRANSACTION WINDOW

INSTALLATION INSTRUCTIONS

1. All lifting and handling of Armortex Transaction Windows should be accomplished in a manner to avoid placing undue stress on the attachment of the vertical channel at the parcel shelf. Ideally the use of heavy duty glass suction cups is recommended. Pay special attention to the "GLAZE THIS SIDE OUT" sticker.
2. Provide a finished opening in the wall with sufficient clearance to accept the transaction window.
3. Carefully lift the transaction window into finished opening and shim if required. Screw or anchor unit in place at the top and bottom of both verticals on each side of glass (8 total)

NOTE: Where counters of greater depth than shown are used, or where counters have been detached to better facilitate shipping, the installation should be done as follows.

1. If more than one unit is to be installed determine correct units for each opening as required.
2. Position counter and level in all directions.
3. Mark anchor holes through mounting clips if used due to excessive depth.
4. Remove counter and drill necessary holes.
5. Replace counter and secure anchors through mounting clips.
6. Position correct glazing and frame on counter, plumb, and attach as in #3 above.

MAINTENANCE AND CLEANING

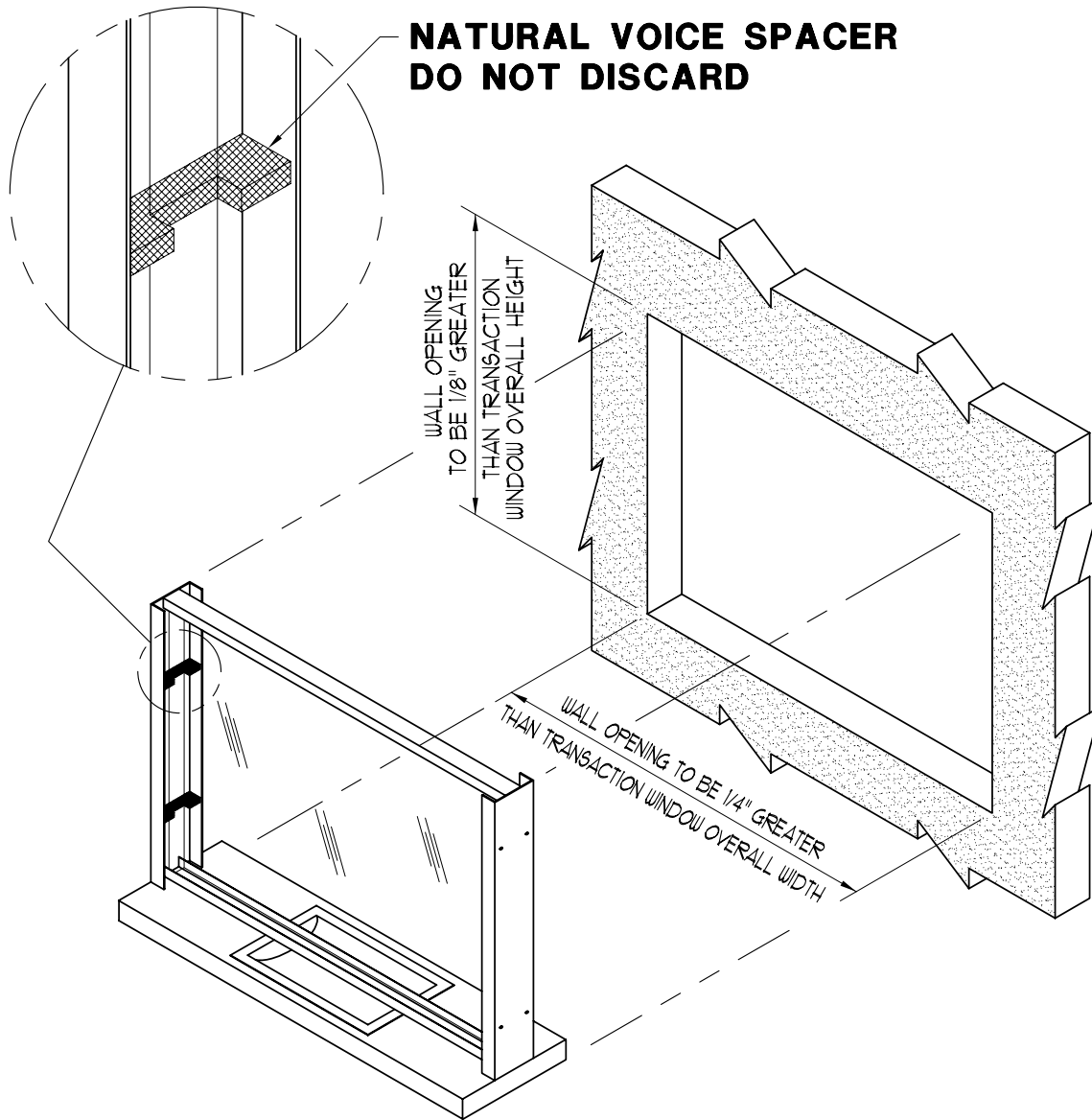
Never use abrasive type cleaning products such as "Comet" on bright metal frame or glazing. Regular cleaning with "Windex" type cleaner (liquid or spray liquid, non abrasive) on metal parts and glass only is recommended. For polycarbonates wash with a mild soap or detergent. Avoid excessive application of strong solvents.

C:\MASTERS\ARMORTEX\INSTALL\INS29500.DWG.DWG 03/11/03 @ 11:23 User: andy_perez

| REVISIONS | | | ARMORTEX® BULLET / BLAST RESISTANT PRODUCTS | | BALLISTIC LEVEL | |
|-----------|-------------|------|--|--|-----------------|-------------|
| No. | DESCRIPTION | DATE | 5926 CORRIDOR PKWY SCHERTZ, TX 78154 TEL: 210-661-8306 800-880-8306 FAX: 210-661-8308 | | DRN.BY: | DATE: |
| | | | TITLE: ARMORTEX® BULLET RESISTANT TRANSACTION WINDOW INSTALLATION PROC. | | A. Perez | 03-14-03 |
| | | | PROJECT NAME: | | B. LEWIS | 05-28-09 |
| | | | UNLESS OTHERWISE SPECIFIED ALL DIMENSIONS ARE IN INCHES | | SCALE | PROJECT No. |
| | | | NONE | | DRAWING No. | SHEET |
| | | | | | INS29500 | 1 OF 1 |

INSTALLATION PROCEDURES

1. CUT A FINISHED OPENING IN THE WALL SIZED TO ACCEPT ARMORTEX BULLET RESISTANT TRANSACTION WINDOW
2. PLACE PRE-FRAMED TRANSACTION WINDOW IN OPENING, SHIM AS NECESSARY AND ATTACH FRAME SIDES TO EXISTING WALL WITH ANCHORS AS REQUIRED.



C:\ARMORTEX MASTERS - 2006\INSTALLATION\INST9500.DWG.DWG 10/24/06 @ 09:14 User: gperez

| REVISIONS | | | ARMORTEX ® BULLET / BLAST RESISTANT PRODUCTS 5926 CORRIDOR PKWY SCHERTZ, TX 78154 TEL: 210-661-8306 800-880-8306 FAX: 210-661-8308 | | BALLISTIC LEVEL | |
|--|-------------|------|---|-----------------|-----------------|-------|
| No. | DESCRIPTION | DATE | | | DRN.BY: | DATE: |
| | | | A. PEREZ | 03-14-03 | | |
| | | | B. LEWIS | 05-28-09 | | |
| TITLE: ARMORTEX® BULLET RESISTANT TRANSACTION WINDOW INSTALLATION | | | PROJECT NAME: | | | |
| UNLESS OTHERWISE SPECIFIED ALL DIMENSIONS ARE IN INCHES | | | SCALE NONE | PROJECT No. | | |
| | | | DRAWING No. INST9500 | SHEET 1 OF 1 | | |