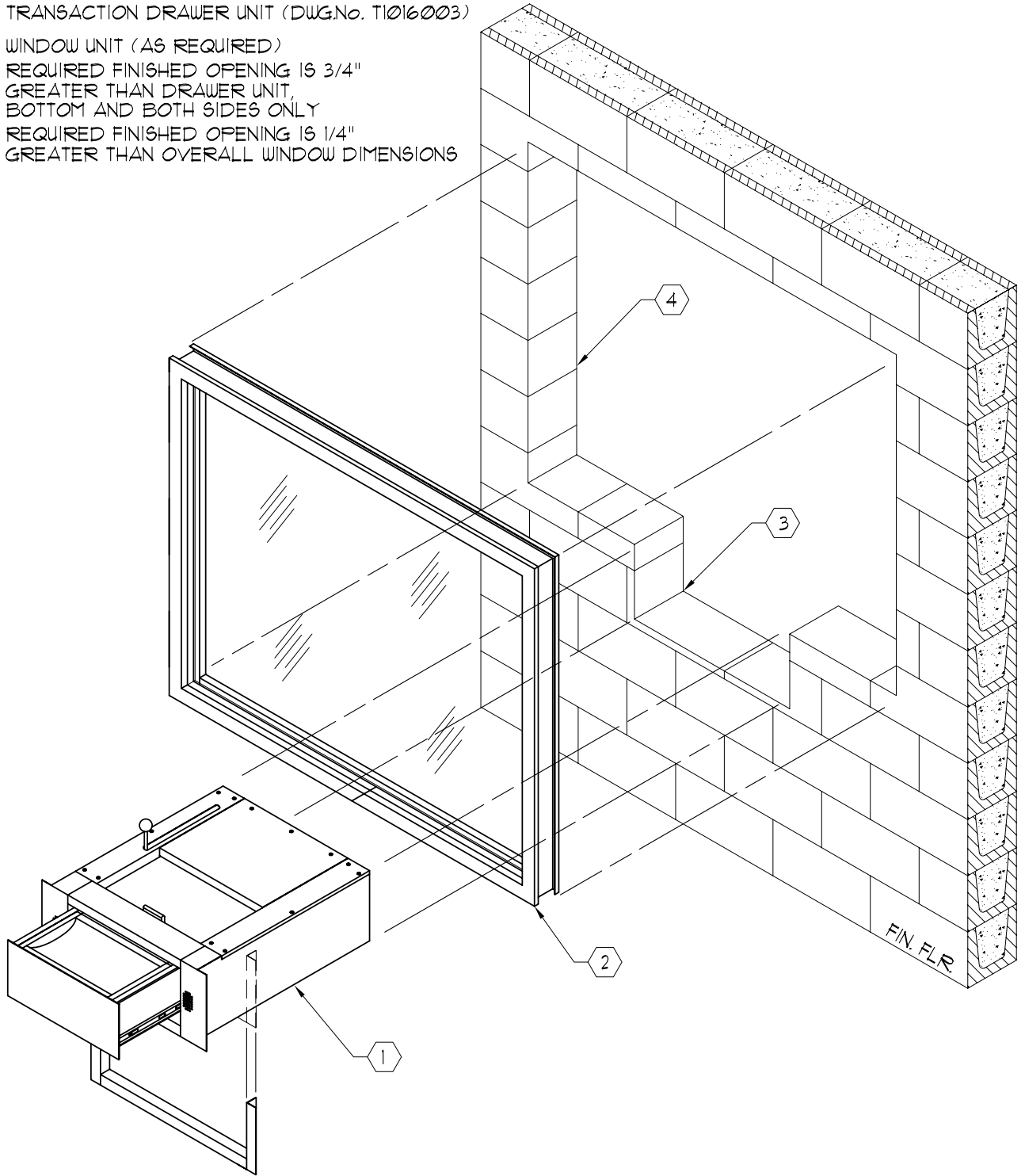


NOTES:

- ① TRANSACTION DRAWER UNIT (DWG.No. T1016003)
- ② WINDOW UNIT (AS REQUIRED)
- ③ REQUIRED FINISHED OPENING IS 3/4" GREATER THAN DRAWER UNIT, BOTTOM AND BOTH SIDES ONLY
- ④ REQUIRED FINISHED OPENING IS 1/4" GREATER THAN OVERALL WINDOW DIMENSIONS



C:\ARMORTEX MASTERS\INSTALLATION\INST9523.DWG.DWG 05/22/06 @ 11:54 User: operez

REVISIONS			ARMORTEX ® BULLET / BLAST RESISTANT PRODUCTS 5926 CORRIDOR PKWY SCHERTZ, TX 78154 TEL: 210-661-8306 800-880-8306 FAX: 210-661-8308		BALLISTIC LEVEL	
No.	DESCRIPTION	DATE			DRN.BY:	DATE:
			A. PEREZ	03-14-03		
			CHKD.BY:	DATE:		
			B. LEWIS	05-28-09		
			DRAWING No.	SHEET		
			INST9523	1 OF 1		

TITLE: ARMORTEX® BULLET RESISTANT TRANSACTION & WINDOW INSTALLATION

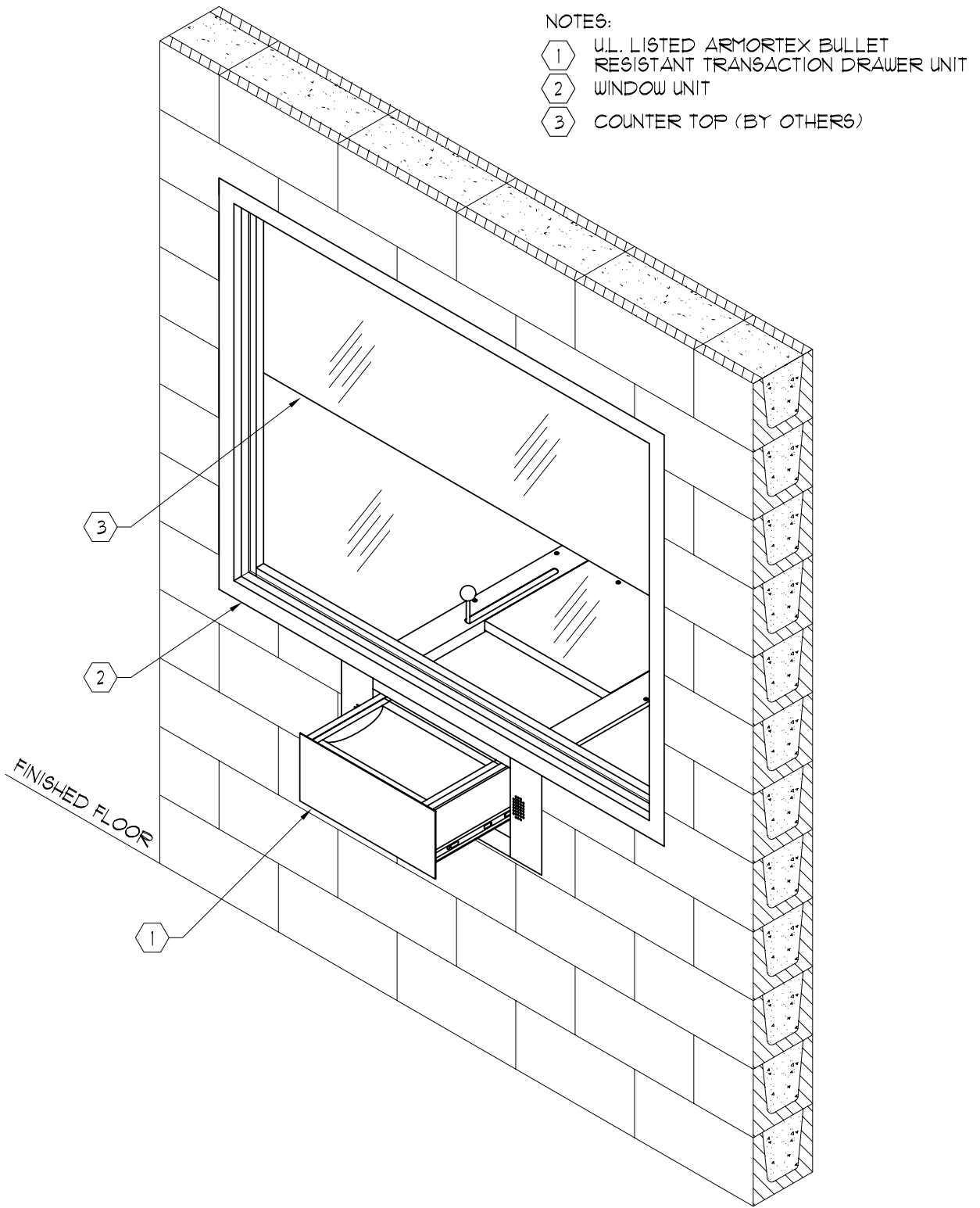
UNLESS OTHERWISE SPECIFIED ALL DIMENSIONS ARE IN INCHES

PROJECT NAME: _____

SCALE: NONE

PROJECT No. _____

C:\ARMORTEX MASTERS\INSTALLATION\INST9524.DWG 05/22/06 @ 11:57 User: operez



NOTES:

- ① U.L. LISTED ARMORTEX BULLET RESISTANT TRANSACTION DRAWER UNIT
- ② WINDOW UNIT
- ③ COUNTER TOP (BY OTHERS)

REVISIONS		
No.	DESCRIPTION	DATE

ARMORTEX® BULLET / BLAST RESISTANT PRODUCTS
 5926 CORRIDOR PKWY SCHERTZ, TX 78154
 TEL: 210-661-8306 800-880-8306 FAX: 210-661-8308

TITLE: ARMORTEX® BULLET RESISTANT TRANSACTION DRAWER & WINDOW UNIT
 UNLESS OTHERWISE SPECIFIED ALL DIMENSIONS ARE IN INCHES

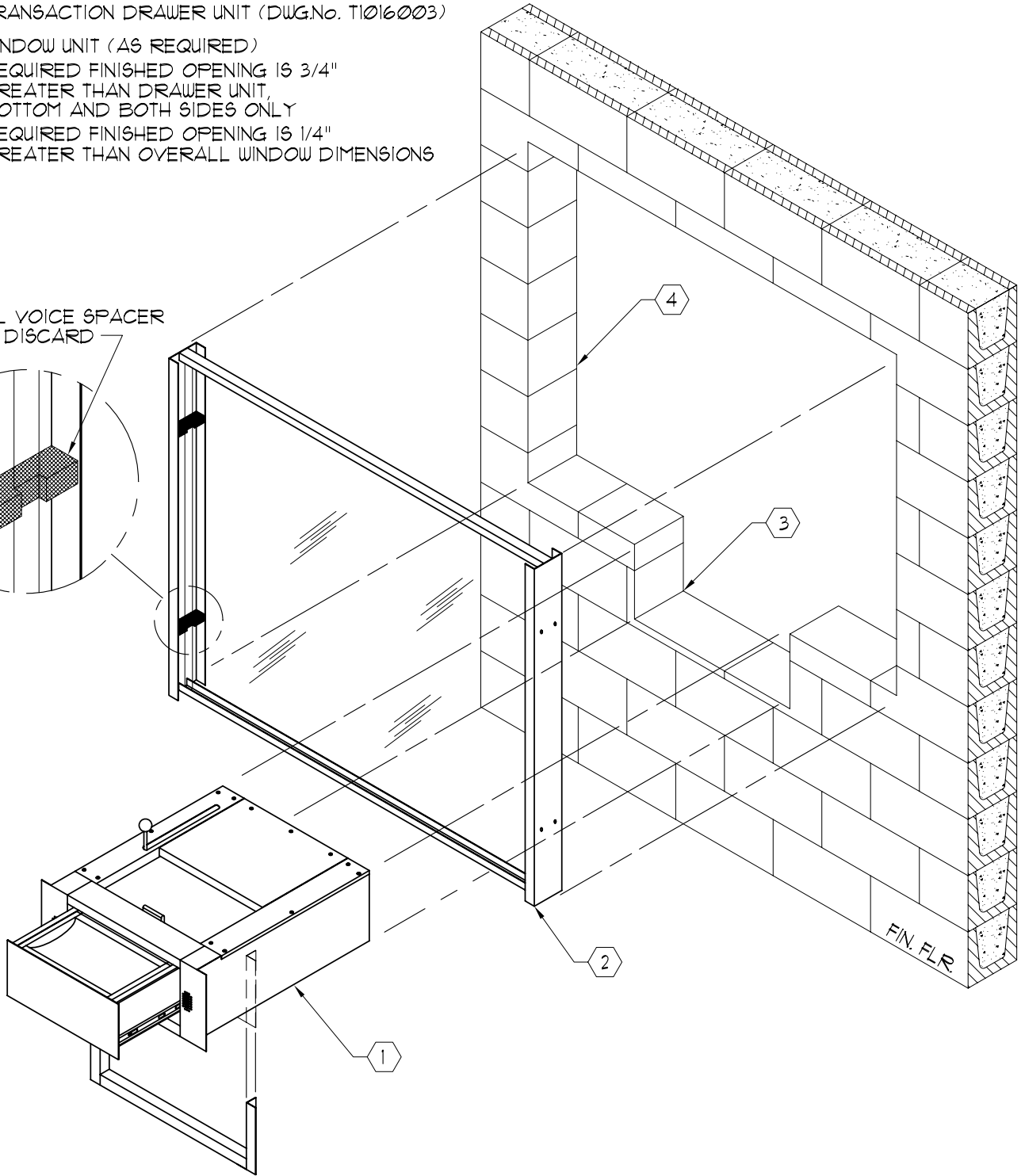
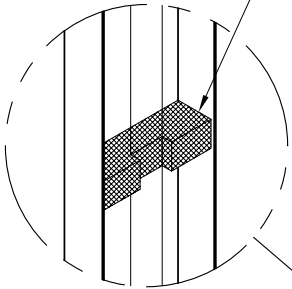
PROJECT NAME: _____
 SCALE: NONE PROJECT No. _____

BALLISTIC LEVEL	
DRN.BY:	DATE:
A. PEREZ	03-14-03
CHKD.BY:	DATE:
B. LEWIS	05-28-09
DRAWING No.	SHEET
INST9524	1 OF 1

NOTES:

- ① TRANSACTION DRAWER UNIT (DWG.No. T1016003)
- ② WINDOW UNIT (AS REQUIRED)
REQUIRED FINISHED OPENING IS 3/4" GREATER THAN DRAWER UNIT, BOTTOM AND BOTH SIDES ONLY
- ③ REQUIRED FINISHED OPENING IS 1/4" GREATER THAN OVERALL WINDOW DIMENSIONS
- ④

NATURAL VOICE SPACER
DO NOT DISCARD



C:\ARMORTEX MASTERS\INSTALLATION\INST9525.DWG 05/22/06 @ 13:43 User: operez

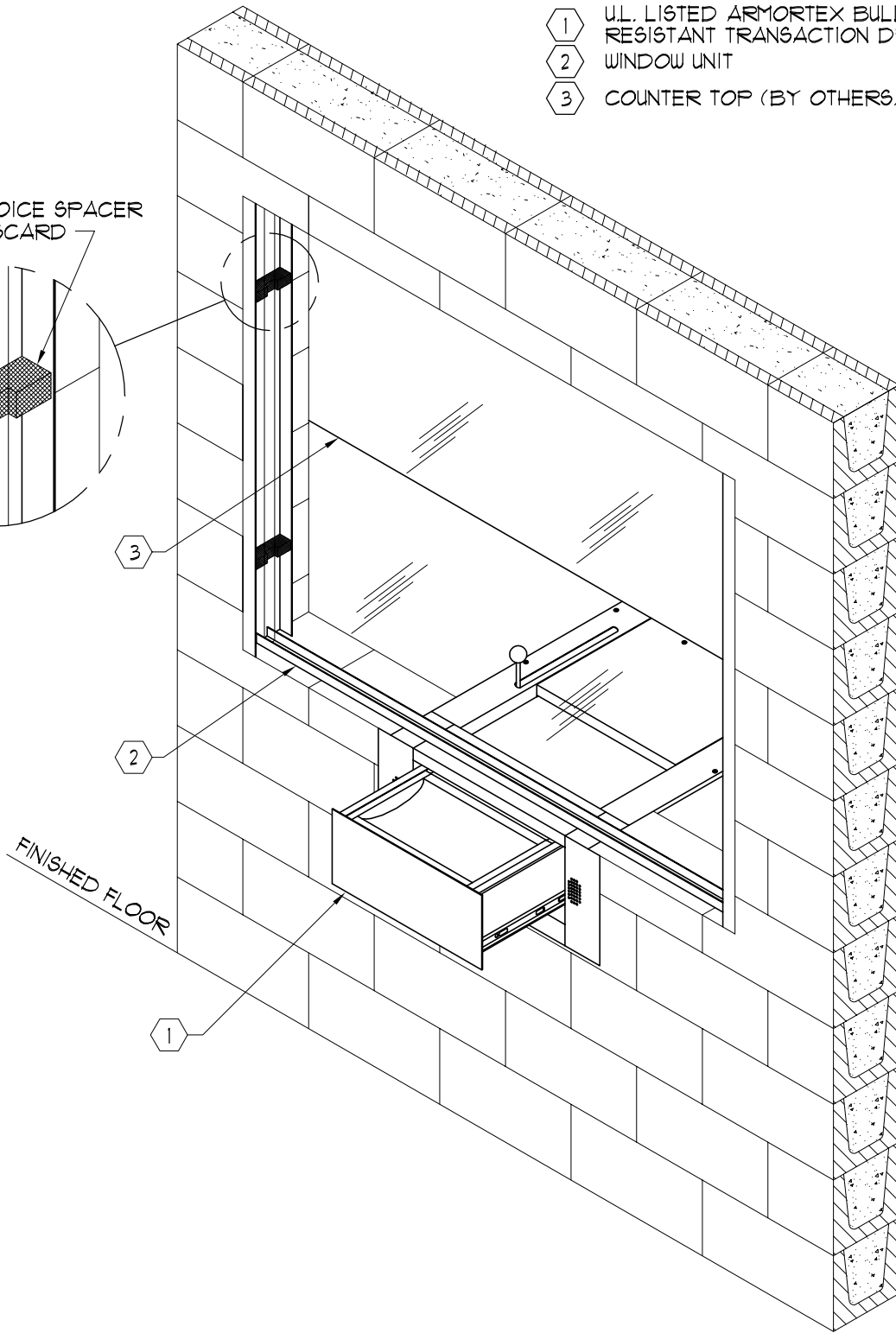
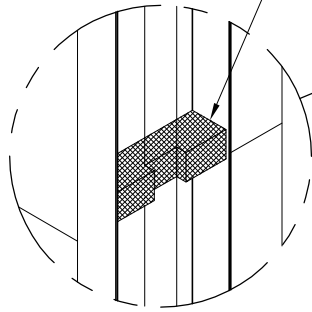
REVISIONS			ARMORTEX [®] BULLET / BLAST RESISTANT PRODUCTS		BALLISTIC LEVEL	
No.	DESCRIPTION	DATE	5926 CORRIDOR PKWY SCHERTZ, TX 78154		DRN.BY:	DATE:
			TEL: 210-661-8306 800-880-8306 FAX: 210-661-8308		A. PEREZ	03-14-03
			TITLE: ARMORTEX [®] BULLET RESISTANT TRANSACTION & WINDOW INSTALLATION		CHKD.BY:	DATE:
			UNLESS OTHERWISE SPECIFIED ALL DIMENSIONS ARE IN INCHES		B. LEWIS	05-28-09
			SCALE: NONE	PROJECT No.	DRAWING No.	SHEET
					INST9525	1 OF 1

C:\ARMORTEX MASTERS\INSTALLATION\INST9526.DWG.DWG 05/22/06 @ 13:42 User: operez

NOTES:

- ① U.L. LISTED ARMORTEX BULLET RESISTANT TRANSACTION DRAWER UNIT
- ② WINDOW UNIT
- ③ COUNTER TOP (BY OTHERS)

NATURAL VOICE SPACER
DO NOT DISCARD



REVISIONS

No.	DESCRIPTION	DATE

ARMORTEX® BULLET / BLAST RESISTANT PRODUCTS
 5926 CORRIDOR PKWY SCHERTZ, TX 78154
 TEL: 210-661-8306 800-880-8306 FAX: 210-661-8308

TITLE:
 ARMORTEX® BULLET RESISTANT TRANSACTION DRAWER & WINDOW UNIT
 UNLESS OTHERWISE SPECIFIED ALL DIMENSIONS ARE IN INCHES

PROJECT NAME:
 SCALE: NONE PROJECT No.:

BALLISTIC LEVEL

DRN. BY: A. Perez	DATE: 03-14-03
CHKD. BY: B. LEWIS	DATE: 05-28-09
DRAWING No. INST9526	SHEET 1 OF 1