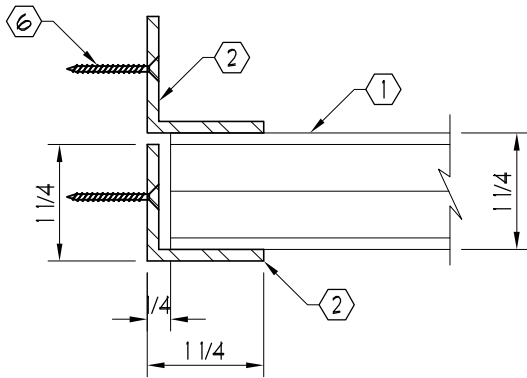


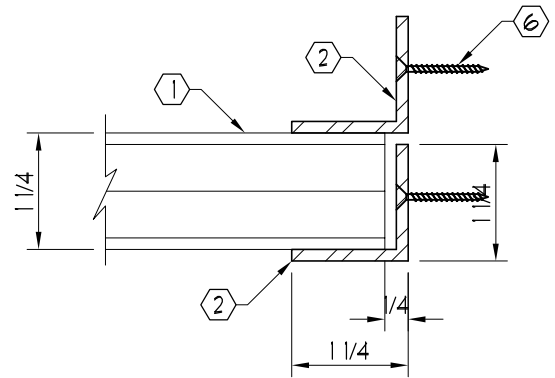
NOTE:

- ① UL LISTED LEVEL 3 ARMORTEX® BULLET RESISTANT LAMINATED POLYCARBONATE - TP 300
- ② 1 1/4" x 1 1/4" x 1/8" CLEAR ANODIZED ALUMINUM ANGLE
- ③ 1 φ ACRYLIC SPACER W/ HARDWARE
- ④ 1 1/4" U-SHAPED CLEAR ANODIZED ALUMINUM CHANNEL

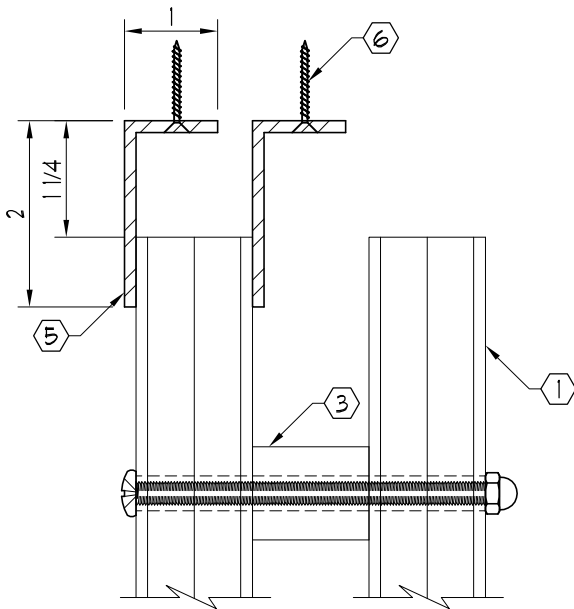
- ⑤ 2" x 1" x 1/8" CLEAR ANODIZED ALUMINUM ANGLE
- ⑥ ANCHORS AS REQUIRED (BY OTHERS)



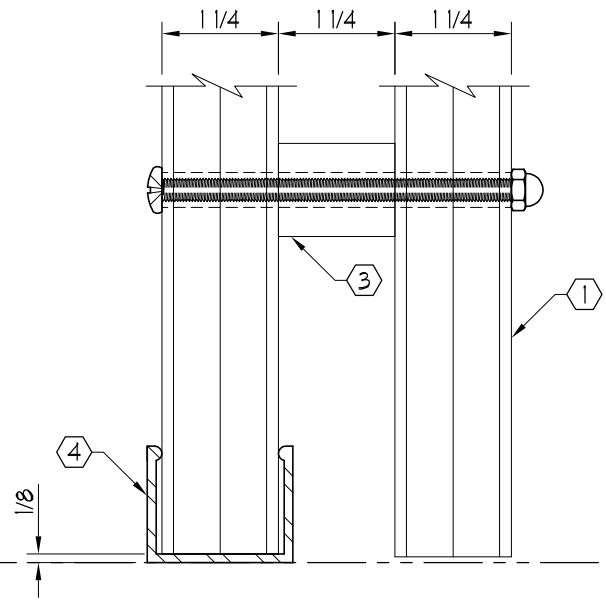
SECTION C



SECTION D



SECTION E



SECTION F

C:\ARMORTEX MASTERS - 2007\WINDOWS\W4011600.DWG.DWG 02/13/07 @ 08:36 User: operez

REVISIONS

No.	DESCRIPTION	DATE

ARMORTEX® BULLET / BLAST RESISTANT PRODUCTS
 5926 CORRIDOR PKWY SCHERTZ, TX 78154
 TEL: 210-661-8306 800-880-8306 FAX: 210-661-8308

TITLE:
 ARMORTEX® BULLET RESISTANT
 NATURAL VOICE BAFFLE SYSTEM SECTIONS
 UNLESS OTHERWISE SPECIFIED
 ALL DIMENSIONS ARE IN INCHES

PROJECT NAME:
 SCALE: NONE
 PROJECT No.:

BALLISTIC LEVEL 3	
DRN.BY: A. Perez	DATE: 02-16-07
CHKD.BY:	DATE:
DRAWING No. W4011600	SHEET 4 OF 4