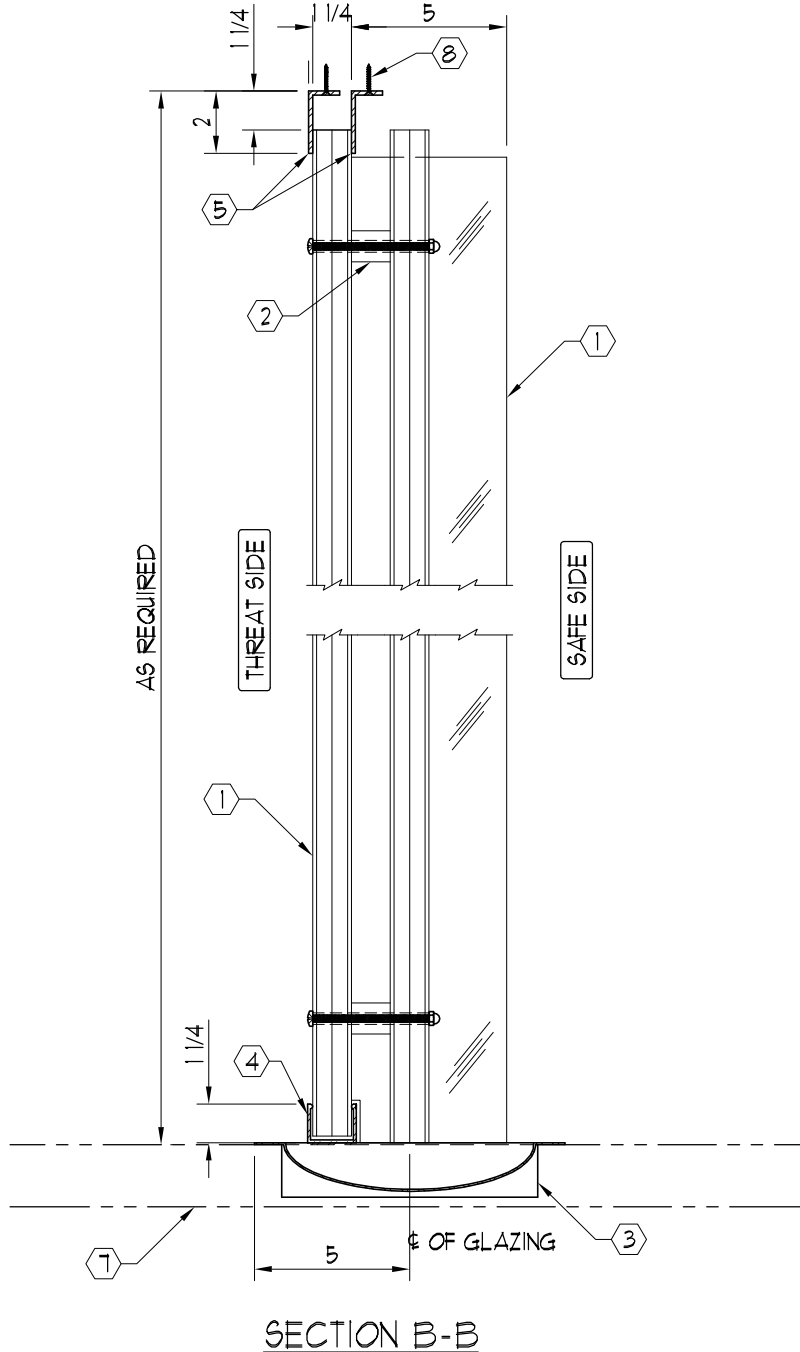


NOTES:

- ① UL LISTED LEVEL 3 ARMORTEX® BULLET RESISTANT LAMINATED POLYCARBONATE - TP 300
- ② 1" ϕ ACRYLIC SPACER W/ HARDWARE
- ③ 16 GA. STAINLESS STEEL DIP TRAY (MODEL RMDT-1016) (SHIPPED LOOSE)
- ④ 1 1/4" x 1 9/16" U-SHAPED CLEAR ANODIZED ALUMINUM CHANNEL
- ⑤ 2" x 1" x 1/8" CLEAR ANODIZED ALUMINUM ANGLE
- ⑥ 1 1/4" x 1 1/4" x 1/8" CLEAR ANODIZED ALUMINUM ANGLE
- ⑦ COUNTER TOP (BY OTHERS)
- ⑧ ANCHORS AS REQUIRED (BY OTHERS)



C:\ARMORTEX MASTERS - 2007\WINDOWS\W3011600.DWG 02/13/07 @ 08:32 User: aperez

REVISIONS			ARMORTEX® BULLET / BLAST RESISTANT PRODUCTS		BALLISTIC LEVEL 3	
No.	DESCRIPTION	DATE	5926 CORRIDOR PKWY SCHERTZ, TX 78154		DRN.BY:	DATE:
			TEL: 210-661-8306 800-880-8306 FAX: 210-661-8308		A. Perez	02-16-07
			TITLE:		CHKD.BY:	
			ARMORTEX® BULLET RESISTANT NATURAL VOICE BAFFLE SYSTEM SECTIONS		DATE:	
			UNLESS OTHERWISE SPECIFIED ALL DIMENSIONS ARE IN INCHES		DRAWING No.	
			SCALE: NONE		PROJECT No.	
					W3011600	
					SHEET	
					3 OF 4	