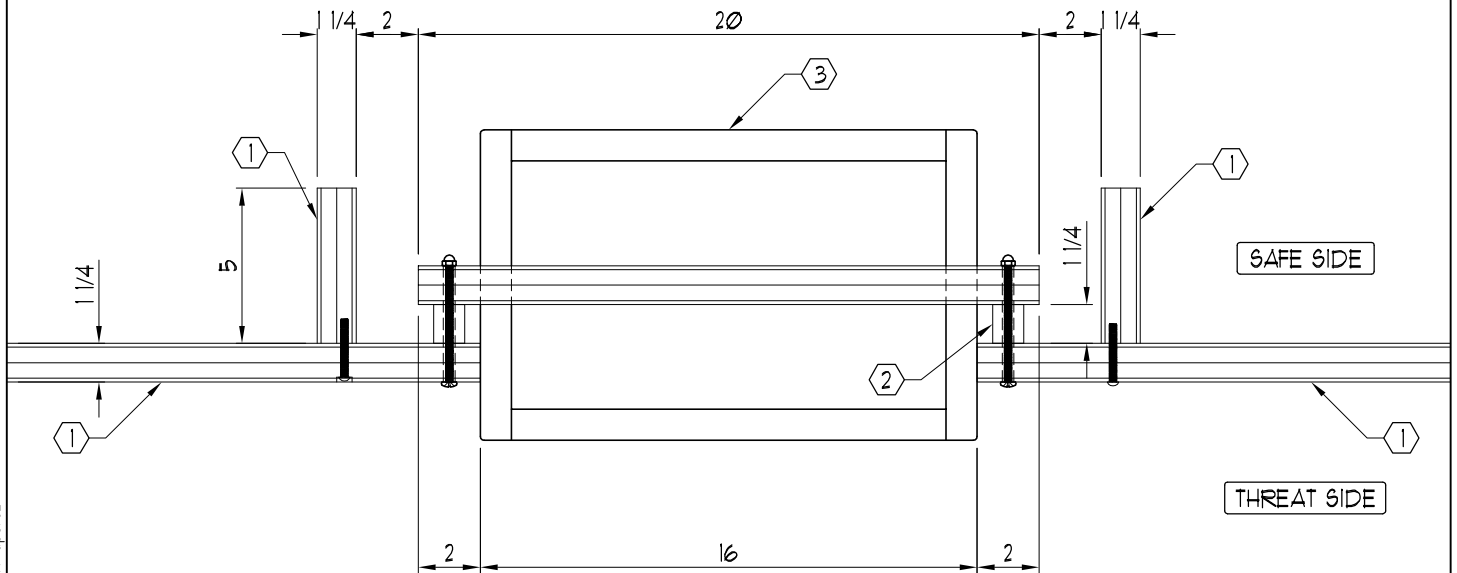


NOTES:

- ① UL LISTED LEVEL 3 ARMORTEX® BULLET RESISTANT LAMINATED POLYCARBONATE - TP 300
- ② 1" Ø ACRYLIC SPACERS W/ HARDWARE
- ③ 16 GA. STAINLESS STEEL DIP TRAY (MODEL RMDT-1016) (SHIPPED LOOSE)



SECTION A-A

C:\ARMORTEX MASTERS - 2007\WINDOWS\W2011600.DWG 02/13/07 @ 08:22 User: aperez

REVISIONS			ARMORTEX® BULLET / BLAST RESISTANT PRODUCTS 5926 CORRIDOR PKWY SCHERTZ, TX 78154 TEL: 210-661-8306 800-880-8306 FAX: 210-661-8308		BALLISTIC LEVEL 3	
No.	DESCRIPTION	DATE			DRN.BY:	DATE:
			A. Perez	02-16-07		
			CHKD.BY:	DATE:		
			DRAWING No.	SHEET		
			W2011600	2 OF 4		
TITLE: ARMORTEX® BULLET RESISTANT NATURAL VOICE BAFFLE SYSTEM SECTIONS UNLESS OTHERWISE SPECIFIED ALL DIMENSIONS ARE IN INCHES			PROJECT NAME: _____	SCALE NONE	PROJECT No. _____	