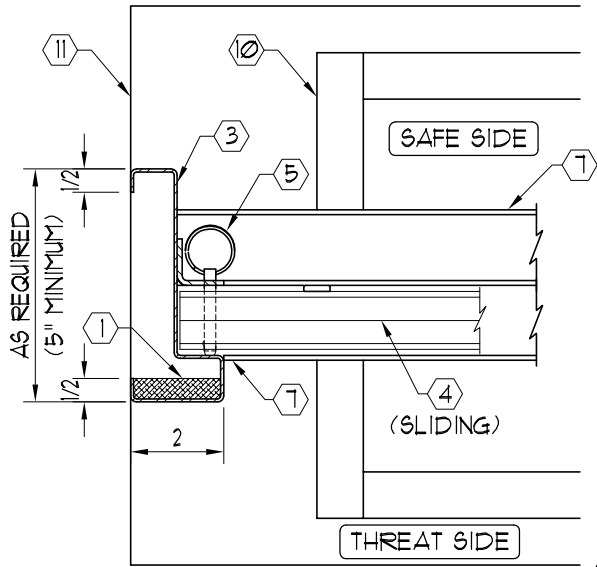


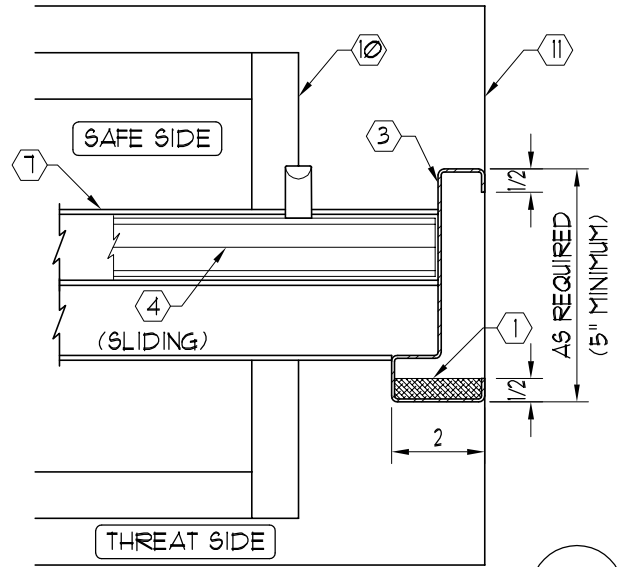
NOTE:

- ① UL LISTED ARMORTEX® BULLET RESISTANT COMPOSITES
- ② FLUSH WELD ALL CORNERS BY MECHANICAL MEANS
- ③ 16 GA. PRIME PAINTED STEEL FRAME (STAINLESS STEEL OPTIONAL)
- ④ UL LISTED ARMORTEX® BULLET RESISTANT GLAZING TP 300 OR 1 1/4" ACRYLIC
- ⑤ 1/4" ⌀ QUICK-RELEASE PIN W/ NYLON COATED CABLE
- ⑥ TREMCO-440 GLAZING TAPE
- ⑦ 12 GA. STAINLESS STEEL TRACK
- ⑧ 12 GA. STAINLESS STEEL ROLLER GUARD
- ⑨ ROLLER TRACK (1500 SERIES)
- ⑩ 16 GA. STAINLESS STEEL DIP TRAY (MODEL RMDT-1016)
- ⑪ HIGH PRESSURE LAMINATED BLACK PLASTIC SHELF (STAINLESS STEEL OPTIONAL)



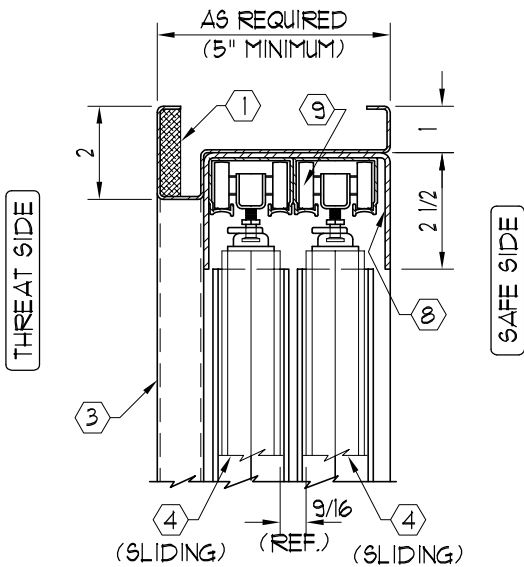
LEFT JAMB

B



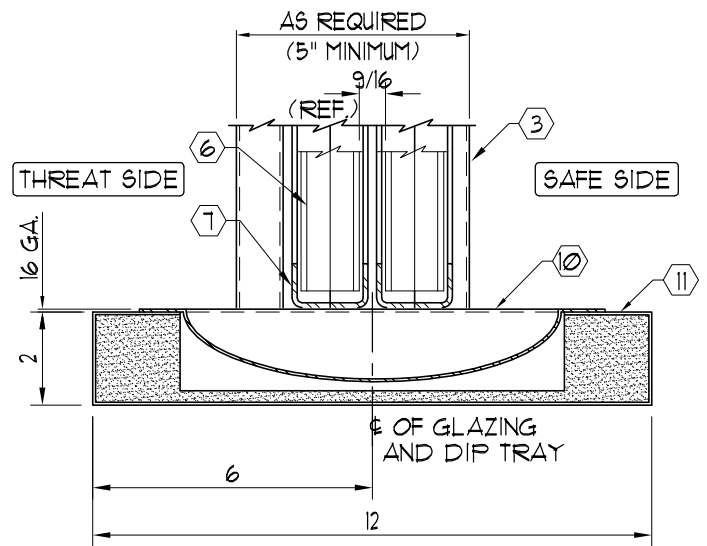
RIGHT JAMB

C



HEAD

D



SILL

E

REVISIONS

| No. | DESCRIPTION | DATE |
|-----|-------------|------|
| | | |
| | | |

ARMORTEX® BULLET / BLAST RESISTANT PRODUCTS
 5926 CORRIDOR PKWY SCHERTZ, TX 78154
 TEL: 210-661-8306 800-880-8306 FAX: 210-661-8308

BALLISTIC LEVEL

| | |
|-----------|----------|
| DRN. BY: | DATE: |
| A. Perez | 02-16-07 |
| CHKD. BY: | DATE: |

TITLE:
 ARMORTEX® BULLET RESISTANT TRANSACTION SLIDING WINDOW

PROJECT NAME:

MODEL SSTW-25

UNLESS OTHERWISE SPECIFIED ALL DIMENSIONS ARE IN INCHES

| | |
|-------|-------------|
| SCALE | PROJECT No. |
| NONE | |

| | |
|-------------|--------|
| DRAWING No. | SHEET |
| W2011025 | 2 OF 2 |