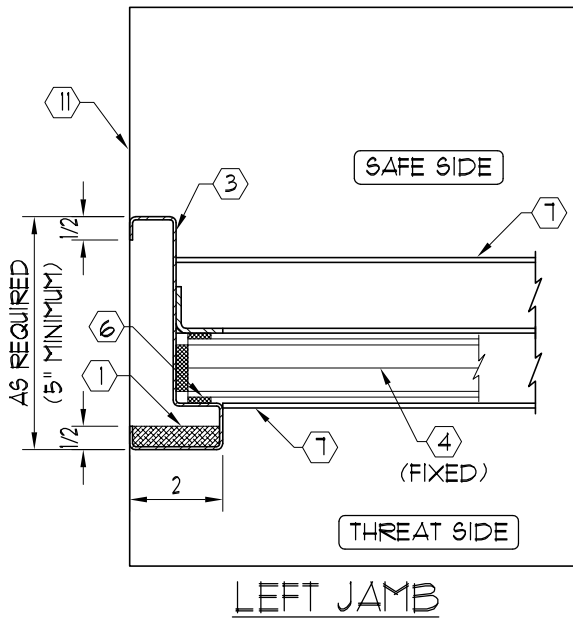
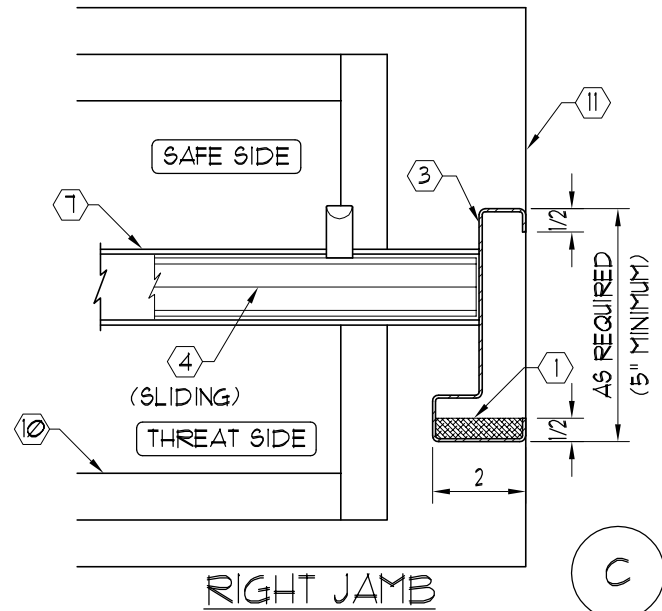


NOTE:

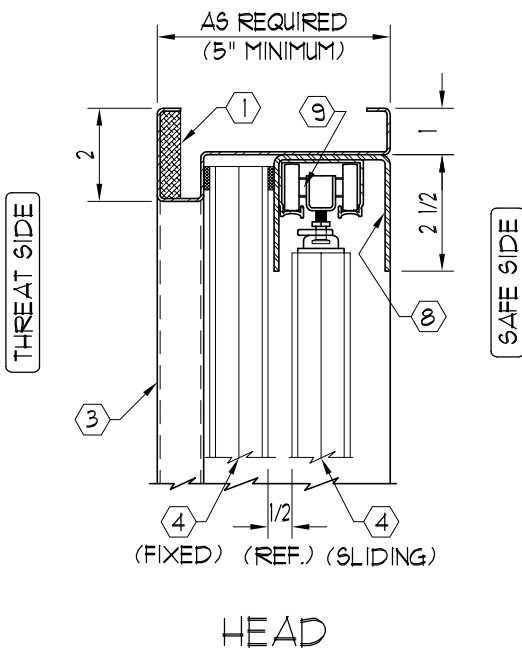
- ① UL LISTED ARMORTEX® BULLET RESISTANT COMPOSITES
- ② FLUSH WELD ALL CORNERS BY MECHANICAL MEANS
- ③ 16 GA. PRIME PAINTED STEEL FRAME (STAINLESS STEEL OPTIONAL)
- ④ UL LISTED ARMORTEX® BULLET RESISTANT GLAZING TP 300 OR 1/4" ACRYLIC
- ⑤ NEOPRENE SETTING BLOCKS
- ⑥ TREMCO-440 GLAZING TAPE
- ⑦ 12 GA. STAINLESS STEEL TRACK
- ⑧ 12 GA. STAINLESS STEEL ROLLER GUARD
- ⑨ ROLLER TRACK (1500 SERIES)
- ⑩ 16 GA. STAINLESS STEEL DIP TRAY (MODEL RMDT-1016)
- ⑪ HIGH PRESSURE LAMINATED BLACK PLASTIC SHELF (STAINLESS STEEL OPTIONAL)



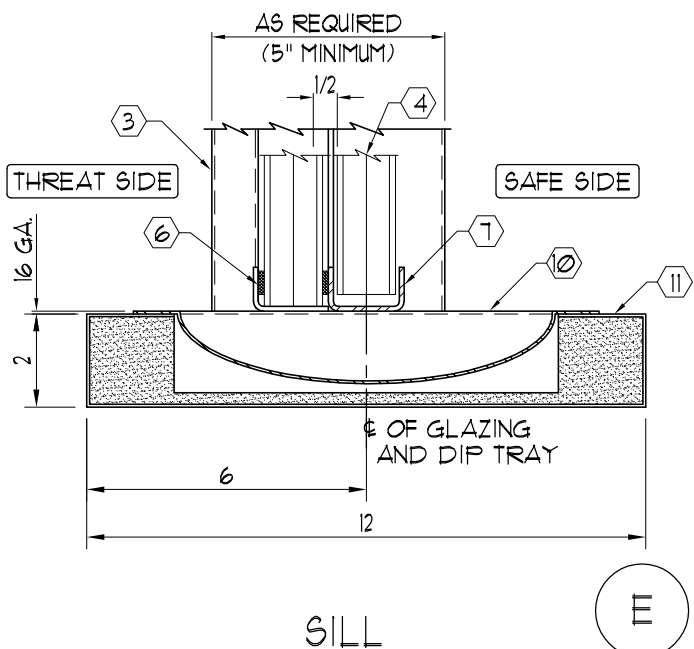
B



C



D



E

C:\ARMORTEX MASTERS - 2007\WINDOWS\W2011024.DWG.DWG 02/13/07 @ 10:55 User: operez

REVISIONS		
No.	DESCRIPTION	DATE
MODEL SSTW-24		

ARMORTEX® BULLET / BLAST RESISTANT PRODUCTS
 5926 CORRIDOR PKWY SCHERTZ, TX 78154
 TEL: 210-661-8306 800-880-8306 FAX: 210-661-8308

TITLE: ARMORTEX® BULLET RESISTANT TRANSACTION SLIDING WINDOW
 PROJECT NAME: _____
 SCALE: NONE PROJECT No. _____
 UNLESS OTHERWISE SPECIFIED ALL DIMENSIONS ARE IN INCHES

BALLISTIC LEVEL	
DRN. BY: A. Perez	DATE: 02-16-07
CHKD. BY:	DATE:
DRAWING No. W2011024	SHEET 2 OF 2