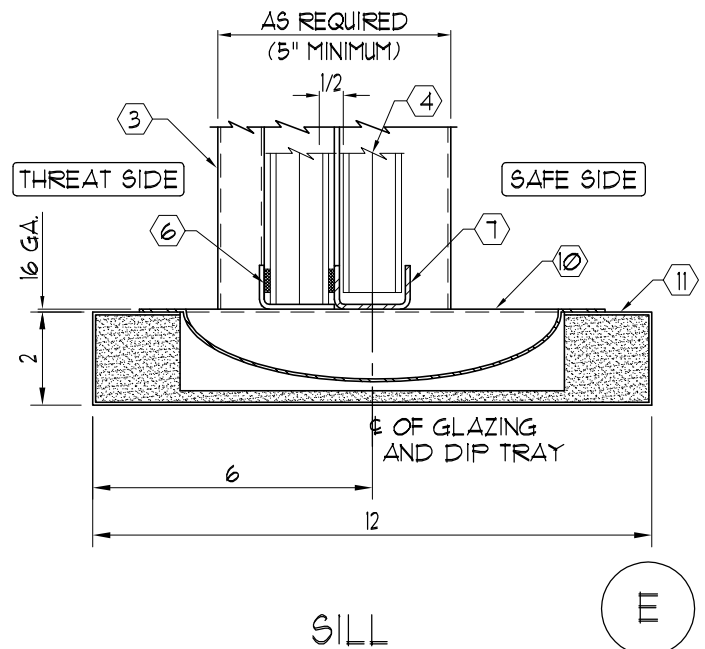
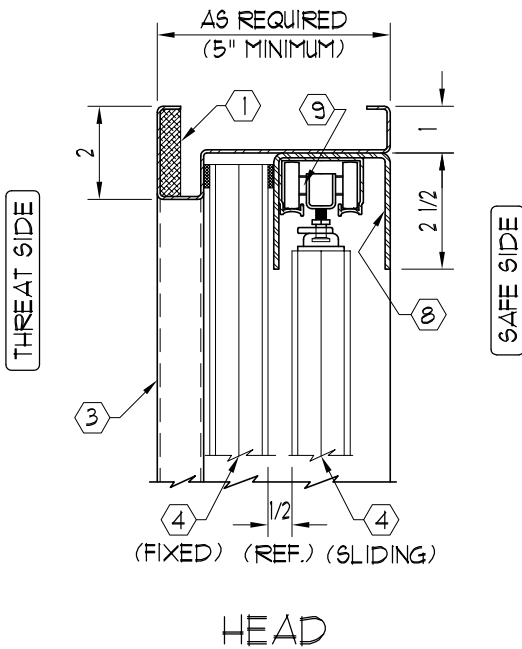
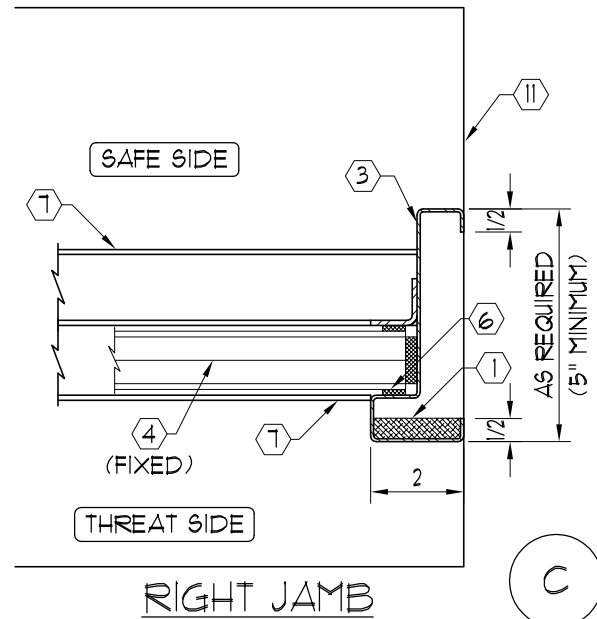
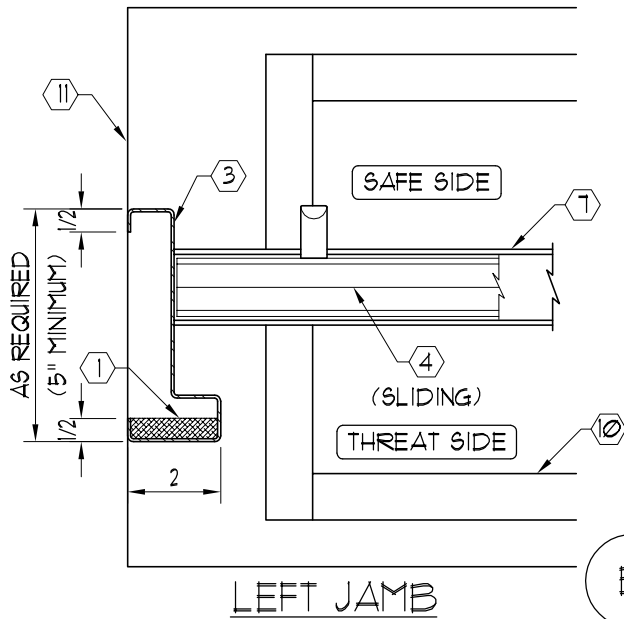


NOTE:

- ① UL LISTED ARMORTEX® BULLET RESISTANT COMPOSITES
- ② FLUSH WELD ALL CORNERS BY MECHANICAL MEANS
- ③ 16 GA. PRIME PAINTED STEEL FRAME (STAINLESS STEEL OPTIONAL)
- ④ UL LISTED ARMORTEX® BULLET RESISTANT GLAZING TP 300 OR 1/4" ACRYLIC
- ⑤ NEOPRENE SETTING BLOCKS
- ⑥ TREMCO-440 GLAZING TAPE
- ⑦ 12 GA. STAINLESS STEEL TRACK
- ⑧ 12 GA. STAINLESS STEEL ROLLER GUARD
- ⑨ ROLLER TRACK (1500 SERIES)
- ⑩ 16 GA. STAINLESS STEEL DIP TRAY (MODEL RMDT-1016)
- ⑪ HIGH PRESSURE LAMINATED BLACK PLASTIC SHELF (STAINLESS STEEL OPTIONAL)



C:\ARMORTEX MASTERS - 2007\WINDOWS\W2011023.DWG.DWG 02/13/07 @ 10:49 User: operez

| REVISIONS     |             |      |
|---------------|-------------|------|
| No.           | DESCRIPTION | DATE |
|               |             |      |
|               |             |      |
| MODEL SSTW-23 |             |      |

**ARMORTEX®** BULLET / BLAST RESISTANT PRODUCTS  
 5926 CORRIDOR PKWY SCHERTZ, TX 78154  
 TEL: 210-661-8306 800-880-8306 FAX: 210-661-8308

TITLE: ARMORTEX® BULLET RESISTANT TRANSACTION SLIDING WINDOW SECTIONS  
 PROJECT NAME: \_\_\_\_\_  
 SCALE: NONE PROJECT No. \_\_\_\_\_  
 UNLESS OTHERWISE SPECIFIED ALL DIMENSIONS ARE IN INCHES

| BALLISTIC LEVEL         |                   |
|-------------------------|-------------------|
| DRN. BY:<br>A. Perez    | DATE:<br>02-16-07 |
| CHKD. BY:               | DATE:             |
| DRAWING No.<br>W2011023 | SHEET<br>2 OF 2   |