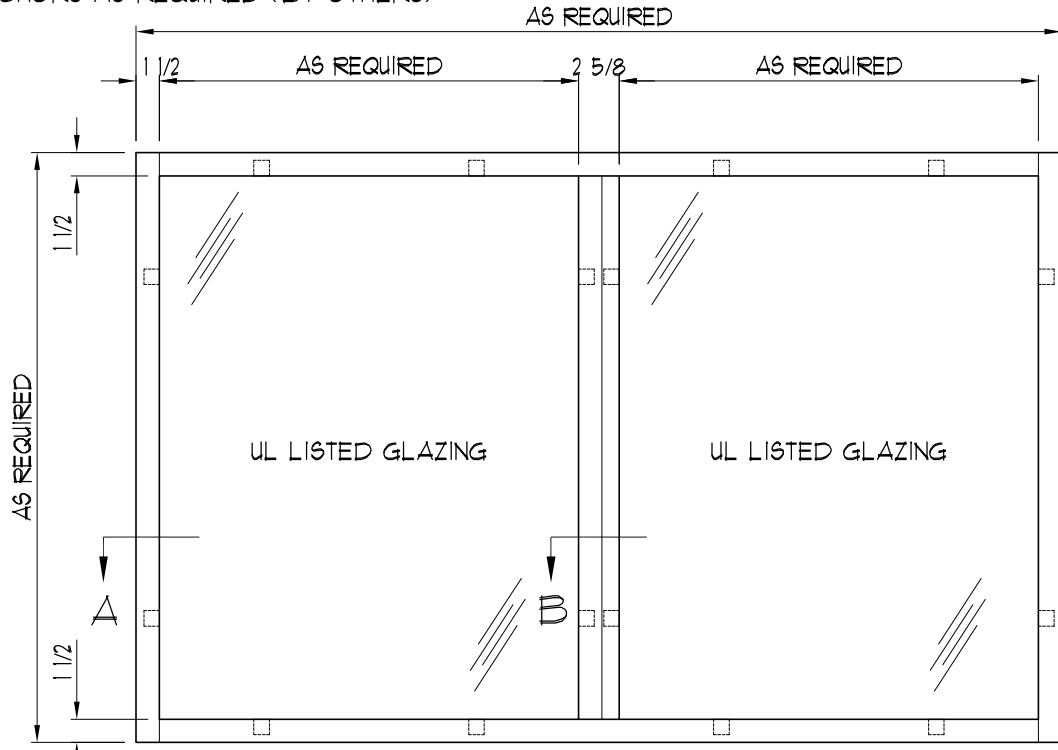


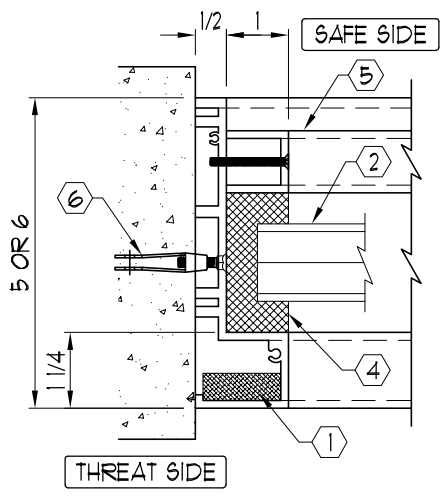
NOTES:

- ① UL LISTED ARMORTEX® BULLET RESISTANT COMPOSITES
- ② UL LISTED ARMORTEX® BULLET RESISTANT GLAZING
- ③ EXTRUDED ALUMINUM FRAME (CLEAR ANODIZED)
- ④ NATURAL VOICE SPACER
- ⑤ REMOVABLE STOP 1" x 1"
- ⑥ ANCHORS AS REQUIRED (BY OTHERS)

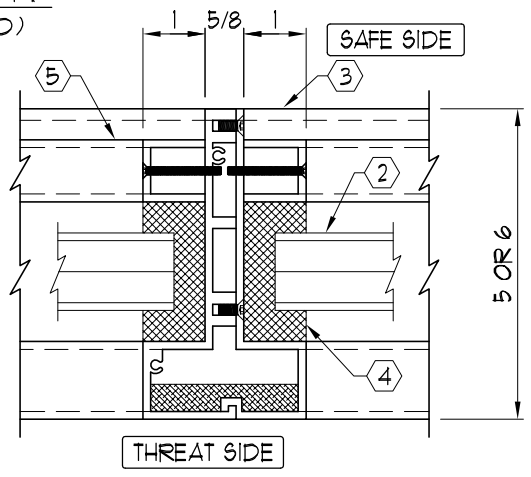
⊗ ALL ALUMINUM TO BE CLEAR ANODIZED  
 ⊗ ALL TYPES OF BULLET RESISTANT GLAZING AVAILABLE IN MOST PROTECTION LEVELS  
 ⊗ FRAMES AVAILABLE IN LEVELS 1, 2, 3 & 4 ⊗



**ELEVATION**  
 ( - REQUIRED)



**SECTION A**



**SECTION B**

C:\ARMORTEX MASTERS - 2007\WINDOWS\ALUMINUM\W1011551.DWG.DWG 02/14/07 @ 11:29 User: operez

REVISIONS		
No.	DESCRIPTION	DATE

**ARMORTEX®** BULLET / BLAST RESISTANT PRODUCTS  
 5926 CORRIDOR PKWY SCHERTZ, TX 78154  
 TEL: 210-661-8306 800-880-8306 FAX: 210-661-8308

TITLE: ARMORTEX® BULLET RESISTANT ALUMINUM NATURAL VOICE FIXED WINDOW SSAFW PROJECT NAME: \_\_\_\_\_

UNLESS OTHERWISE SPECIFIED ALL DIMENSIONS ARE IN INCHES SCALE: NONE PROJECT No. \_\_\_\_\_

BALLISTIC LEVEL	
DRN.BY: A. Perez	DATE: 02-16-07
CHKD.BY:	DATE:
DRAWING No. W1011551	SHEET 1 OF 1