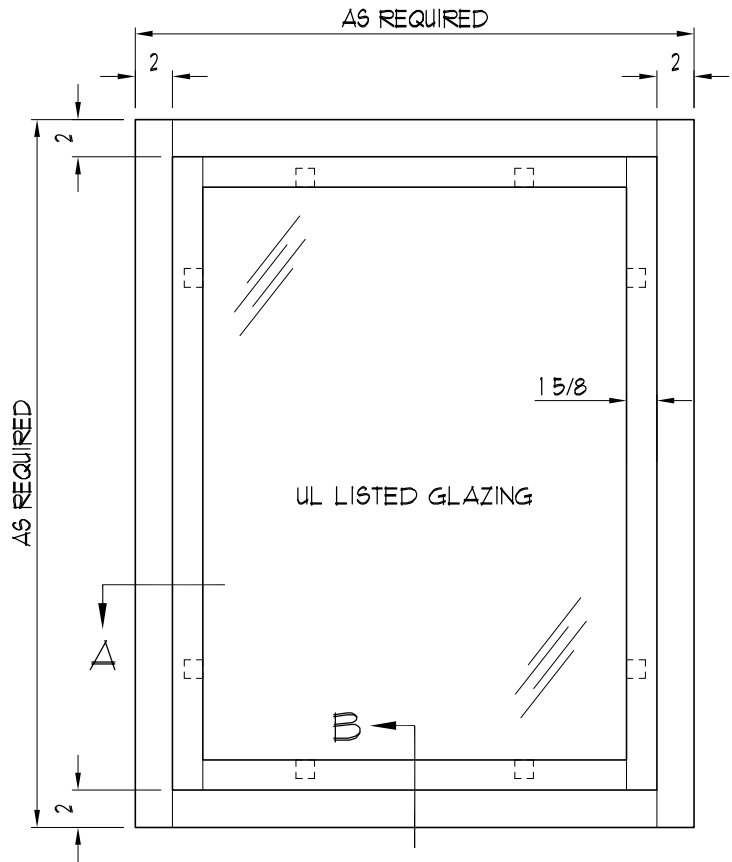


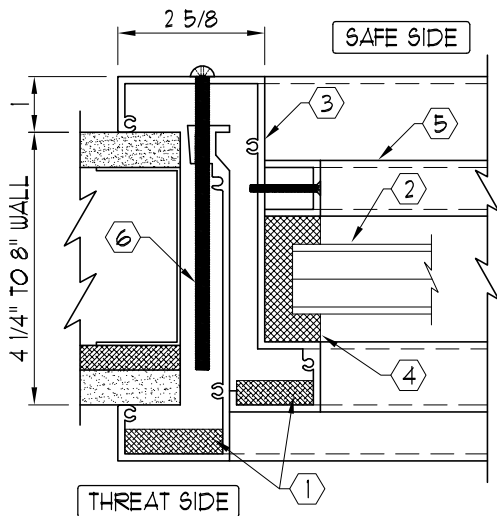
NOTES:

- ① UL LISTED ARMORTEX® BULLET RESISTANT COMPOSITES
- ② UL LISTED ARMORTEX® BULLET RESISTANT GLAZING
- ③ EXTRUDED ALUMINUM FRAME (CLEAR ANODIZED)
- ④ NATURAL VOICE SPACER
- ⑤ REMOVABLE STOP 1" x 1"
- ⑥ ADJUSTMENT SCREW

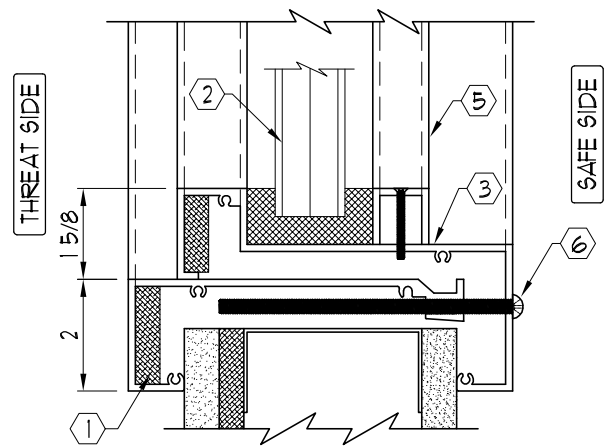
⊗ ALL ALUMINUM TO BE CLEAR ANODIZED
 ALL TYPES OF BULLET RESISTANT GLAZING AVAILABLE IN MOST PROTECTION LEVELS
 FRAMES AVAILABLE IN LEVELS 1, 2, 3 & 4
 ⊗



ELEVATION
 (_ - REQUIRED)



SECTION A



SECTION B

C:\ARMORTEX MASTERS - 2007\WINDOWS\ALUMINUM\W1011525.DWG 02/14/07 @ 10:27 User: operez

REVISIONS			ARMORTEX® BULLET / BLAST RESISTANT PRODUCTS		BALLISTIC LEVEL	
No.	DESCRIPTION	DATE	5926 CORRIDOR PKWY SCHERTZ, TX 78154		DRN.BY:	DATE:
			TEL: 210-661-8306 800-880-8306 FAX: 210-661-8308		A. Perez	02-16-07
			TITLE: ARMORTEX® BULLET RESISTANT CLAMP-ON ALUMINUM NATURAL VOICE WINDOW SSAFW		CHKD.BY:	DATE:
			UNLESS OTHERWISE SPECIFIED ALL DIMENSIONS ARE IN INCHES		DRAWING No.	SHEET
			SCALE NONE	PROJECT No.	W1011525	1 OF 1