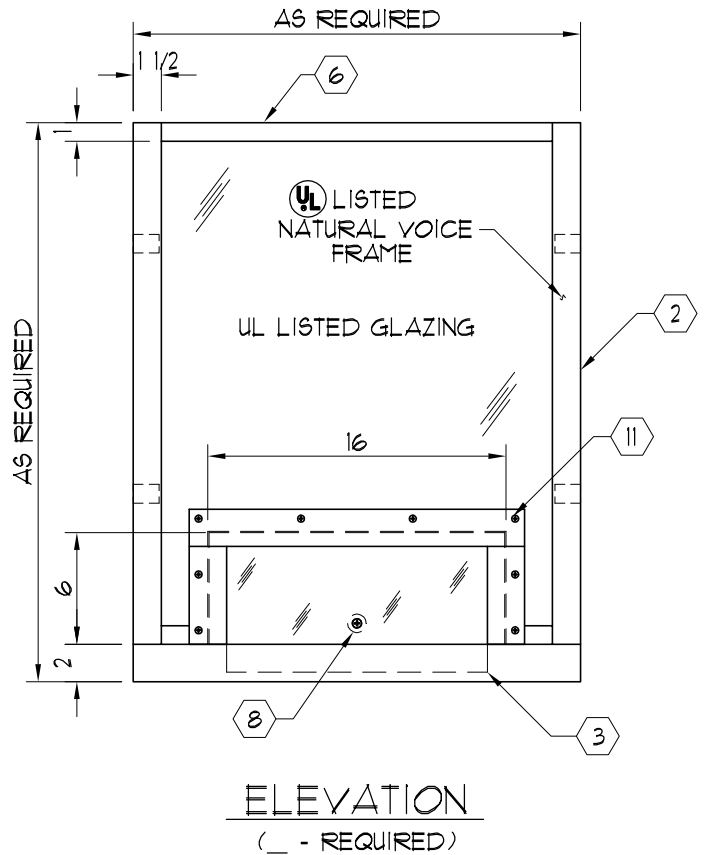
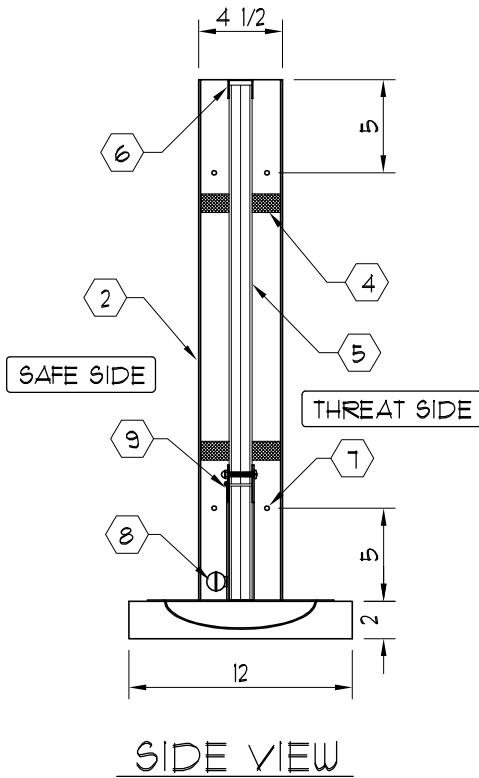
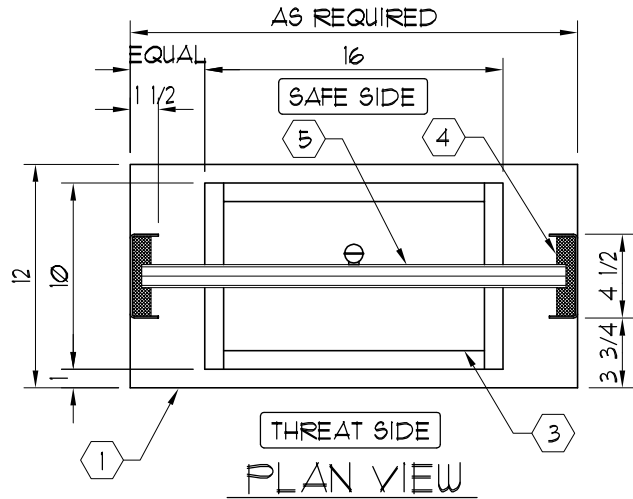


NOTES:

- ① HIGH PRESSURE LAMINATED PLASTIC-BLACK SHELF (STAINLESS STEEL OPTIONAL)
- ② 12 GA. STAINLESS STEEL FRAME
- ③ 16 GA. STAINLESS STEEL DIP TRAY (MODEL RMDT-1016)
- ④ NATURAL VOICE SPACERS
- ⑤ UL LISTED LEVEL 3 ARMORTEX® BULLET RESISTANT POLYCARBONATE - TP 300
- ⑥ 20 GA. STAINLESS STEEL CAP TOP AND BOTTOM OF GLAZING
- ⑦ .251 DIA. ANCHOR HOLES (8-PLACES) (ANCHORS AS REQUIRED, BY OTHERS)
- ⑧ PULL KNOB AND SECURITY LATCH
- ⑨ STAINLESS STEEL CONTINUOUS HINGE
- ⑩ REQUIRED FINISHED OPENING IS 1/4" GREATER THAN OVERALL DIMENSIONS
- ⑪ 12 GA. STAINLESS STEEL ASTRAGAL (BOTH ENDS AND BOTH SIDES)



C:\ARMORTEX MASTERS - 2007\WINDOWS\W1011010.DWG.DWG 02/13/07 @ 09:26 User: aperez

REVISIONS			<b>ARMORTEX®</b> BULLET / BLAST RESISTANT PRODUCTS 5926 CORRIDOR PKWY SCHERTZ, TX 78154 TEL: 210-661-8306 800-880-8306 FAX: 210-661-8308		BALLISTIC LEVEL	
No.	DESCRIPTION	DATE			DRN.BY:	DATE:
			A. Perez	02-16-07		
TITLE:			PROJECT NAME:		CHKD.BY:	DATE:
ARMORTEX® BULLET RESISTANT TRANSACTION WINDOW WITH HINGED PANEL			SCALE		DRAWING No.	SHEET
UNLESS OTHERWISE SPECIFIED ALL DIMENSIONS ARE IN INCHES			NONE		W1011010	1 OF 1
MODEL SSTW-10			PROJECT No.			