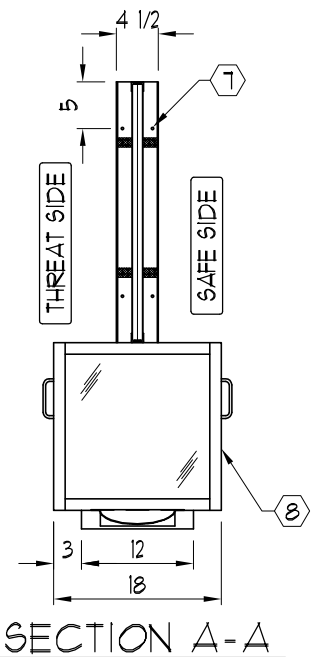
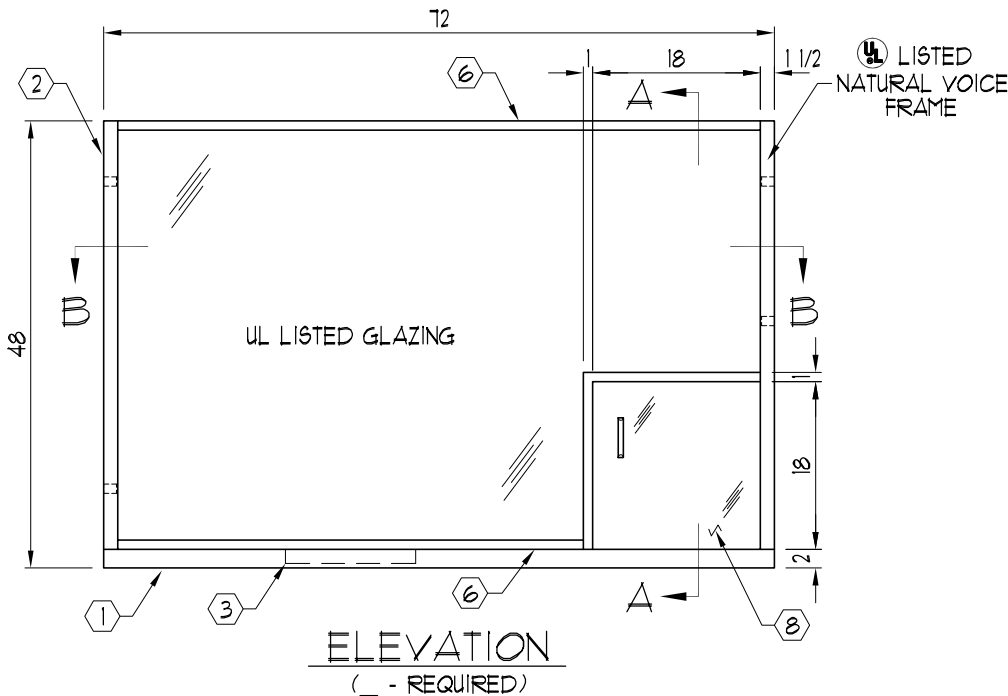
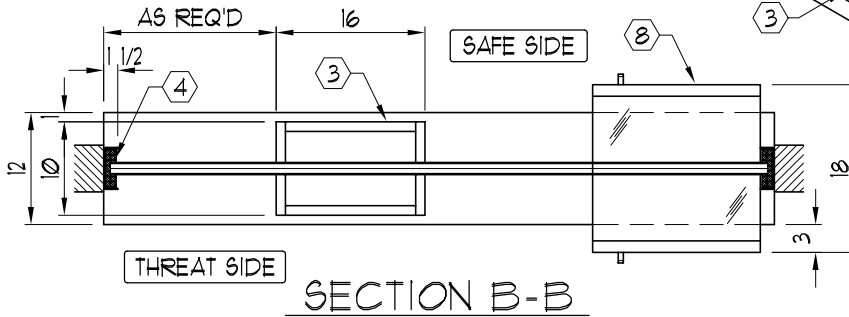
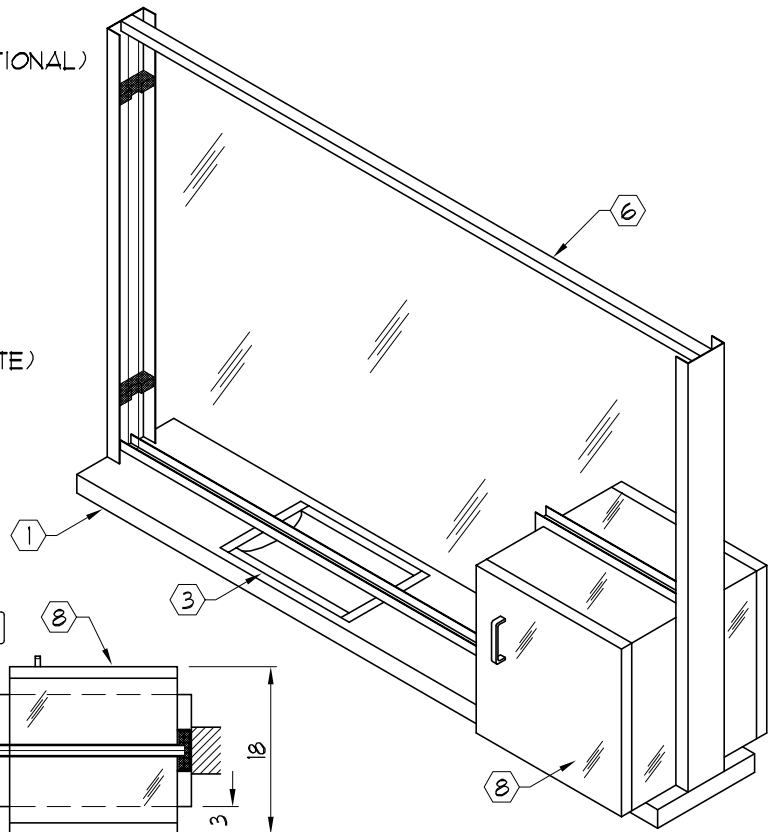


NOTES:

- ① HIGH PRESSURE LAMINATED BLACK PLASTIC SHELF (STAINLESS STEEL OPTIONAL)
- ② 12 GA. STAINLESS STEEL FRAME
- ③ 16 GA. STAINLESS STEEL DIP TRAY
- ④ NATURAL VOICE SPACER
- ⑤ UL LISTED ARMORTEX® BULLET RESISTANT POLYCARBONATE
- ⑥ 20 GA. STAINLESS STEEL CAP TOP AND BOTTOM OF GLAZING
- ⑦ .251 DIA. ANCHOR HOLES (8-PLACES) (ANCHORS AS REQUIRED, BY OTHERS)
- ⑧ PACKAGE RECEIVER (POLYCARBONATE)
- ⑨ REQUIRED FINISHED OPENING IS 1/4" GREATER THAN OVERALL DIMENSIONS



C:\ARMORTEX MASTERS - 2007\WINDOWS\W1011007.DWG, 02/13/07 @ 08:17 User: aperez

REVISIONS		
No.	DESCRIPTION	DATE
MODEL SSTW-01		

ARMORTEX® BULLET / BLAST RESISTANT PRODUCTS
 5926 CORRIDOR PKWY SCHERTZ, TX 78154
 TEL: 210-661-8306 800-880-8306 FAX: 210-661-8308

TITLE: ARMORTEX® BULLET RESISTANT TRANSACTION WINDOW WITH TRANSPARENT PACKAGE RECEIVER

PROJECT NAME: _____

SCALE: NONE PROJECT No. _____

UNLESS OTHERWISE SPECIFIED ALL DIMENSIONS ARE IN INCHES

BALLISTIC LEVEL	
DRN. BY:	DATE:
A. Perez	02-16-07
CHKD. BY:	DATE:
DRAWING No.	SHEET
W1011007	1 OF 1