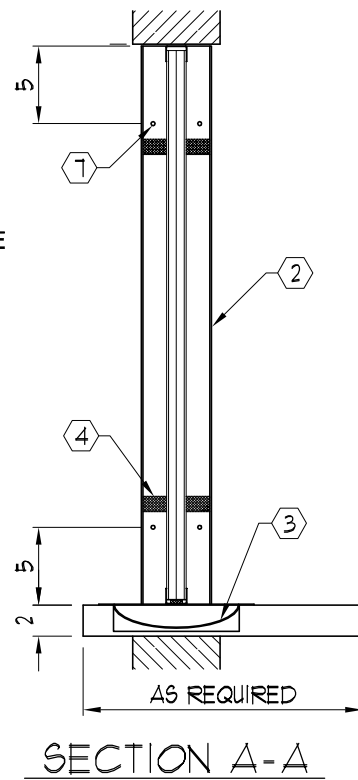
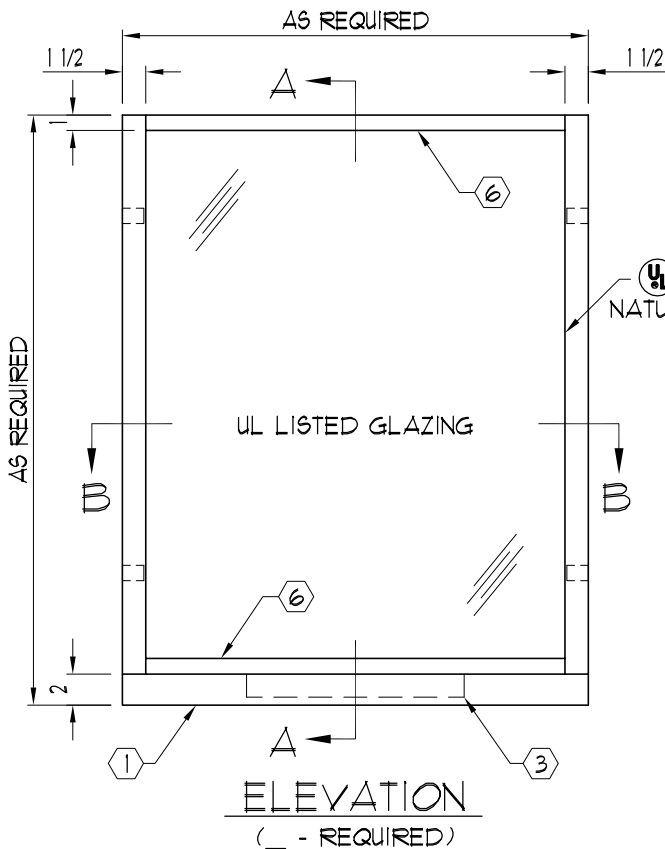
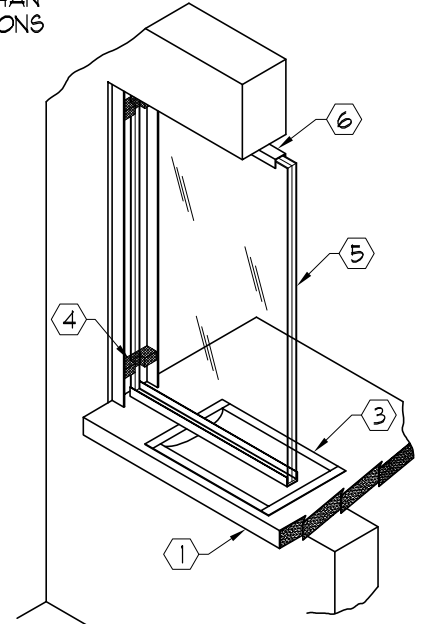
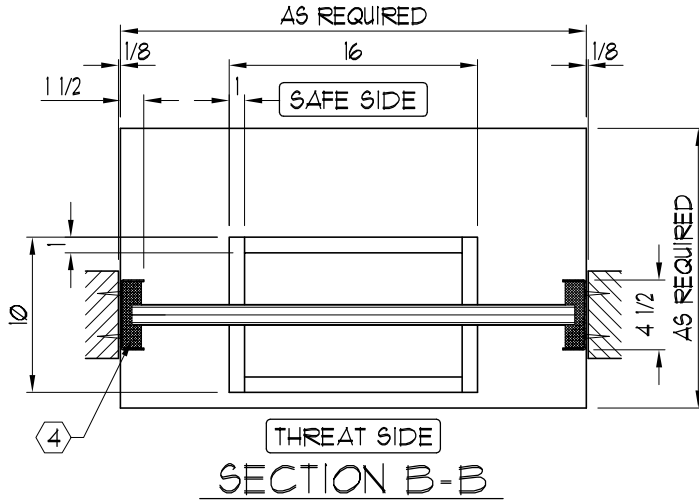


NOTES:

- ① HIGH PRESSURE LAMINATED BLACK PLASTIC SHELF (STAINLESS STEEL OPTIONAL)
- ② 12 GA. STAINLESS STEEL FRAME
- ③ 16 GA. STAINLESS STEEL DIP TRAY
- ④ NATURAL VOICE SPACERS
- ⑤ ARMORTEX® BULLET RESISTANT GLAZING
- ⑥ 20 GA. STAINLESS STEEL CAP TOP AND BOTTOM OF GLAZING
- ⑦ .251 DIA. ANCHOR HOLES (8-PLCS.) (ANCHOR AS REQUIRED, BY OTHERS)
- ⑧ REQUIRED FINISHED OPENING IS 1/4" GREATER THAN OVERALL DIMENSIONS



C:\ARMORTEX MASTERS - 2007\WINDOWS\W1011004.DWG 02/13/07 @ 09:05 User: operez

REVISIONS		
No.	DESCRIPTION	DATE

MODEL SSTW-04

**ARMORTEX®** BULLET / BLAST RESISTANT PRODUCTS  
 5926 CORRIDOR PKWY SCHERTZ, TX 78154  
 TEL: 210-661-8306 800-880-8306 FAX: 210-661-8308

TITLE: ARMORTEX® BULLET RESISTANT TRANSACTION WINDOW SSTW WITH EXTENDED SHELF

PROJECT NAME: \_\_\_\_\_

SCALE: NONE PROJECT No. \_\_\_\_\_

UNLESS OTHERWISE SPECIFIED ALL DIMENSIONS ARE IN INCHES

BALLISTIC LEVEL	
DRN.BY:	DATE:
A. Perez	02-16-07
CHKD.BY:	DATE:
DRAWING No.	SHEET
W1011004	1 OF 1