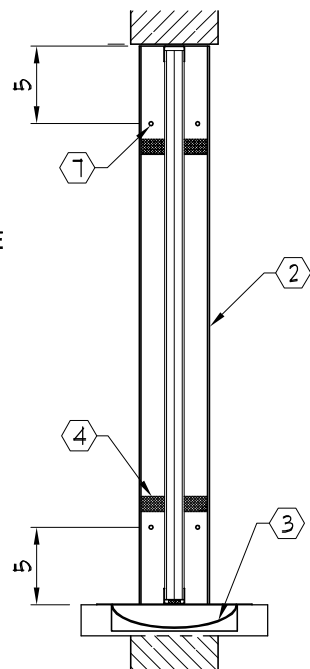
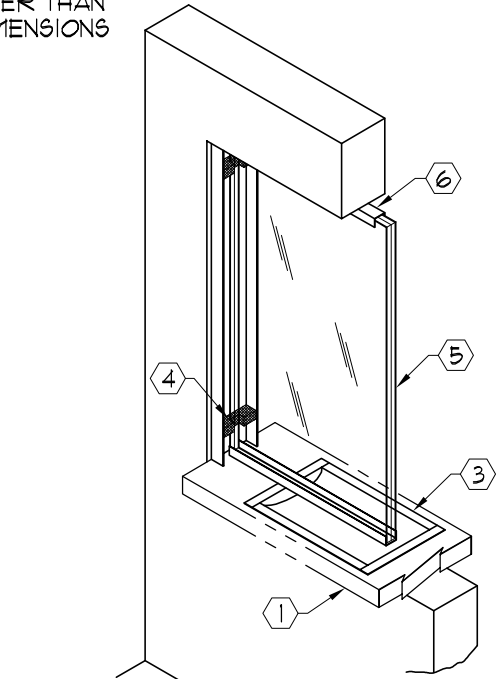
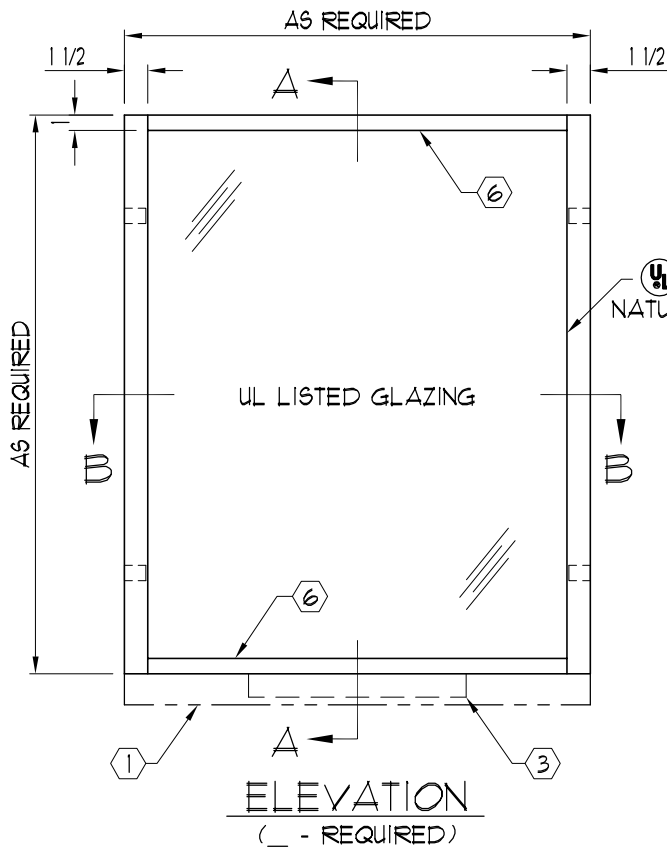
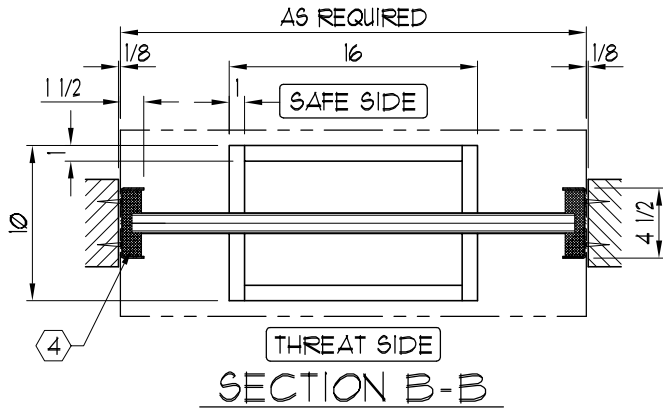


NOTES:

- ① COUNTER TOP (BY OTHERS)
- ② 12 GA. STAINLESS STEEL FRAME
- ③ 16 GA. STAINLESS STEEL DIP TRAY RMDT-1016 (SHIPPED LOOSE)
- ④ NATURAL VOICE SPACERS
- ⑤ ARMORTEX® BULLET RESISTANT GLAZING
- ⑥ 20 GA. STAINLESS STEEL CAP TOP AND BOTTOM OF GLAZING
- ⑦ .251 DIA. ANCHOR HOLES (8-PLCS.) (ANCHOR AS REQUIRED, BY OTHERS)
- ⑧ REQUIRED FINISHED OPENING IS 1/4" GREATER THAN OVERALL DIMENSIONS



SECTION A-A

C:\ARMORTEX MASTERS - 2007\WINDOWS\W1011003.DWG:DWG 02/13/07 @ 09:00 User: operez

REVISIONS			ARMORTEX® BULLET / BLAST RESISTANT PRODUCTS 5926 CORRIDOR PKWY SCHERTZ, TX 78154 TEL: 210-661-8306 800-880-8306 FAX: 210-661-8308		BALLISTIC LEVEL	
No.	DESCRIPTION	DATE			DRN.BY:	DATE:
			A. Perez	02-16-07		
			CHKD.BY:	DATE:		
TITLE: ARMORTEX® BULLET RESISTANT TRANSACTION WINDOW SSTW MODEL SSTW-03			PROJECT NAME:		DRAWING No.	SHEET
			SCALE	PROJECT No.	W1011003	1 OF 1
UNLESS OTHERWISE SPECIFIED ALL DIMENSIONS ARE IN INCHES			NONE			