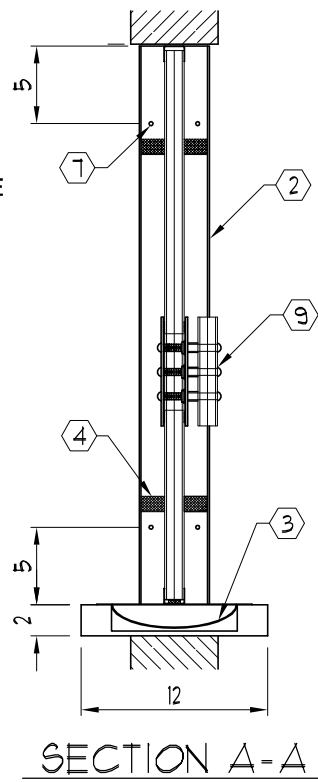
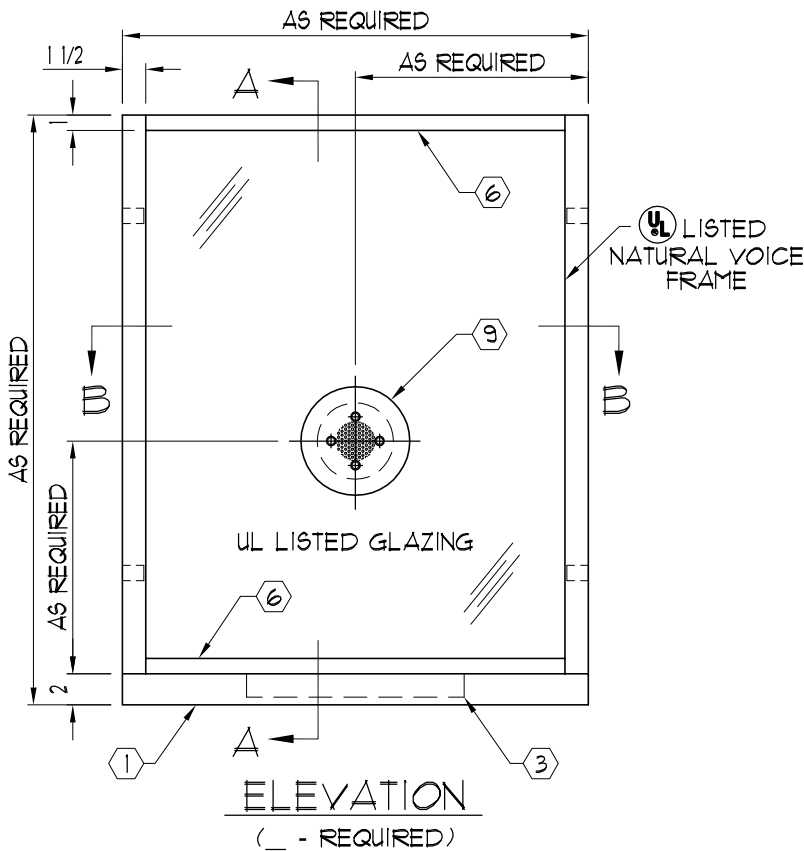
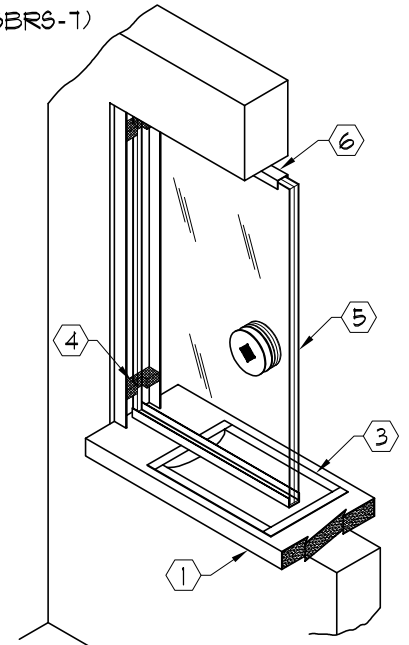
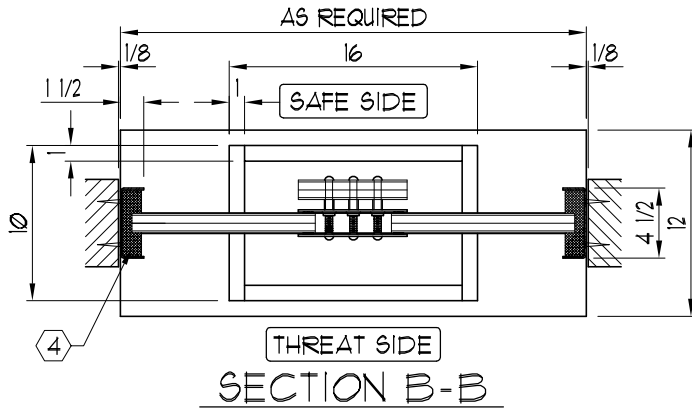


NOTES:

- ① HIGH PRESSURE LAMINATED BLACK PLASTIC SHELF (STAINLESS STEEL OPTIONAL)
- ② 12 GA. STAINLESS STEEL FRAME
- ③ 16 GA. STAINLESS STEEL DIP TRAY
- ④ NATURAL VOICE SPACERS
- ⑤ ARMORTEX® BULLET RESISTANT GLAZING
- ⑥ 20 GA. STAINLESS STEEL CAP TOP AND BOTTOM OF GLAZING
- ⑦ .251 DIA. ANCHOR HOLES (8-PLCS.) (ANCHOR AS REQUIRED, BY OTHERS)
- ⑧ REQUIRED FINISHED OPENING IS 1/4" GREATER THAN OVERALL DIMENSIONS
- ⑨ SPEAKER (MODEL SSBR5-7)



C:\ARMORTEX MASTERS - 2007\WINDOWS\W1011001.DWG:DWG 02/13/07 @ 08:55 User: operez

<b>REVISIONS</b>			<b>ARMORTEX®</b> BULLET / BLAST RESISTANT PRODUCTS		<b>BALLISTIC LEVEL</b>	
No.	DESCRIPTION	DATE	5926 CORRIDOR PKWY SCHERTZ, TX 78154		DRN.BY:	DATE:
			TEL: 210-661-8306 800-880-8306 FAX: 210-661-8308		A. Perez	02-16-07
			TITLE: ARMORTEX® BULLET RESISTANT TRANSACTION WINDOW SSTW		CHKD.BY:	DATE:
<b>MODEL SSTW-01</b>			UNLESS OTHERWISE SPECIFIED ALL DIMENSIONS ARE IN INCHES		PROJECT NAME:	DRAWING No.
					SCALE: NONE	PROJECT No.