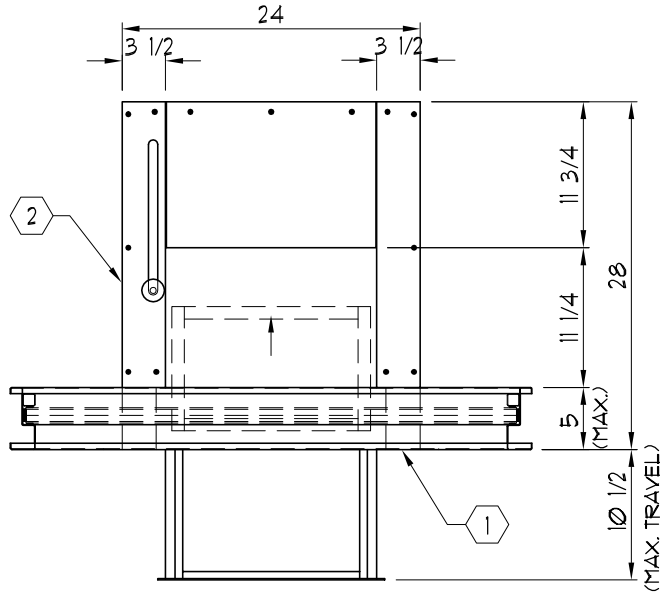


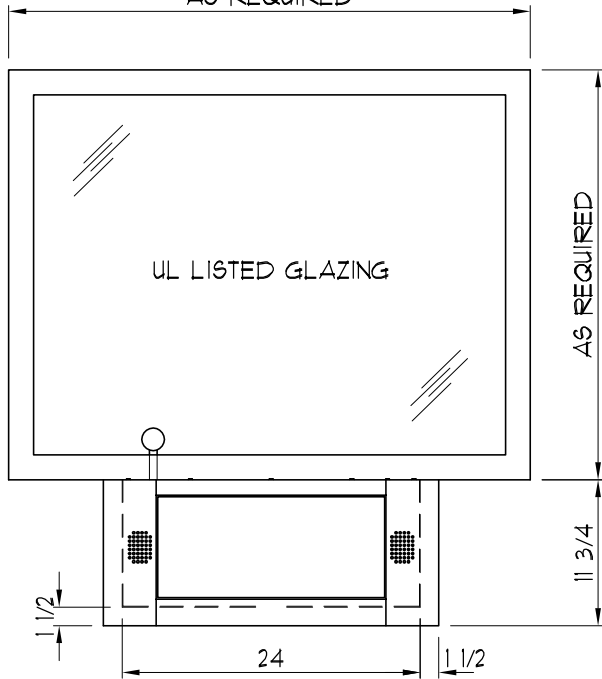
NOTES:

- ① ARMORTEX® BULLET RESISTANT WINDOW SIZES AND TYPE AS REQUIRED
- ② TRANSACTION DRAWER MODEL 6003

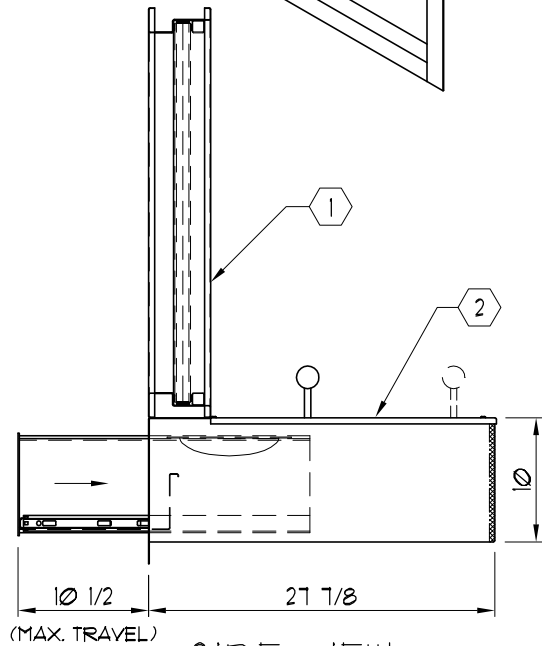
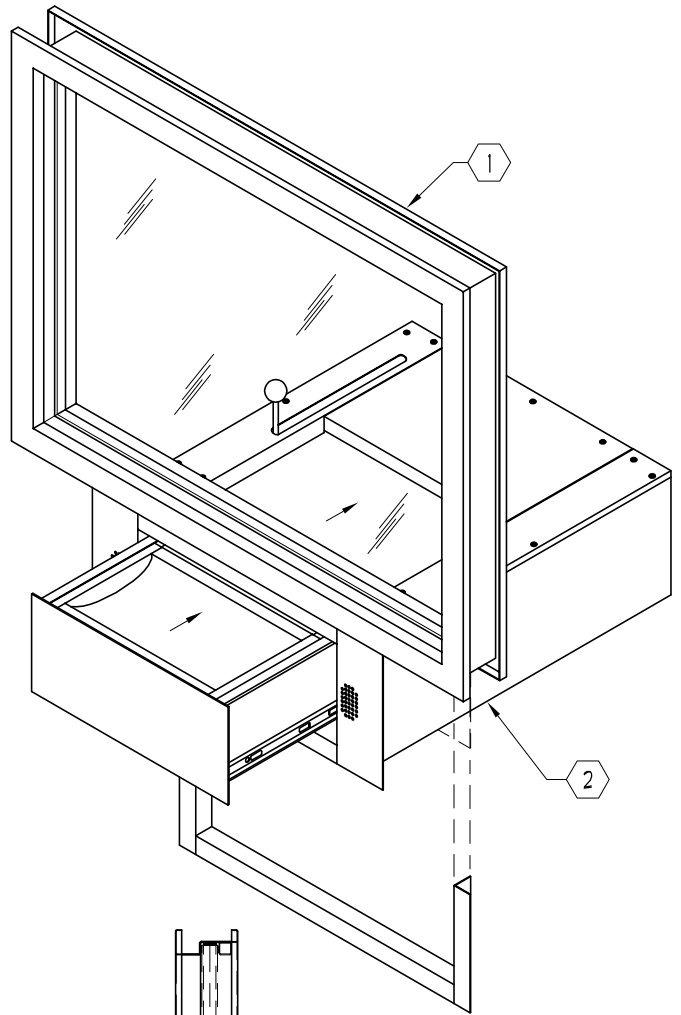


TOP VIEW
(- REQUIRED)

AS REQUIRED



FRONT VIEW



SIDE VIEW

C:\ARMORTEX MASTERS - 2007\TRANSACTION DRAWERS\T1016004.DWG.DWG 02/19/07 @ 10:08 User: operez

REVISIONS			ARMORTEX® BULLET / BLAST RESISTANT PRODUCTS 5926 CORRIDOR PKWY SCHERTZ, TX 78154 TEL: 210-661-8306 800-880-8306 FAX: 210-661-8308		BALLISTIC LEVEL	
No.	DESCRIPTION	DATE			DRN.BY:	DATE:
			A. Perez	02-16-07		
			CHKD.BY:	DATE:		
TITLE: ARMORTEX® BULLET RESISTANT TRANSACTION DRAWER AND WINDOW UNIT UNLESS OTHERWISE SPECIFIED ALL DIMENSIONS ARE IN INCHES			PROJECT NAME:		DRAWING No.	SHEET
			SCALE	PROJECT No.	T1016004	1 OF 1