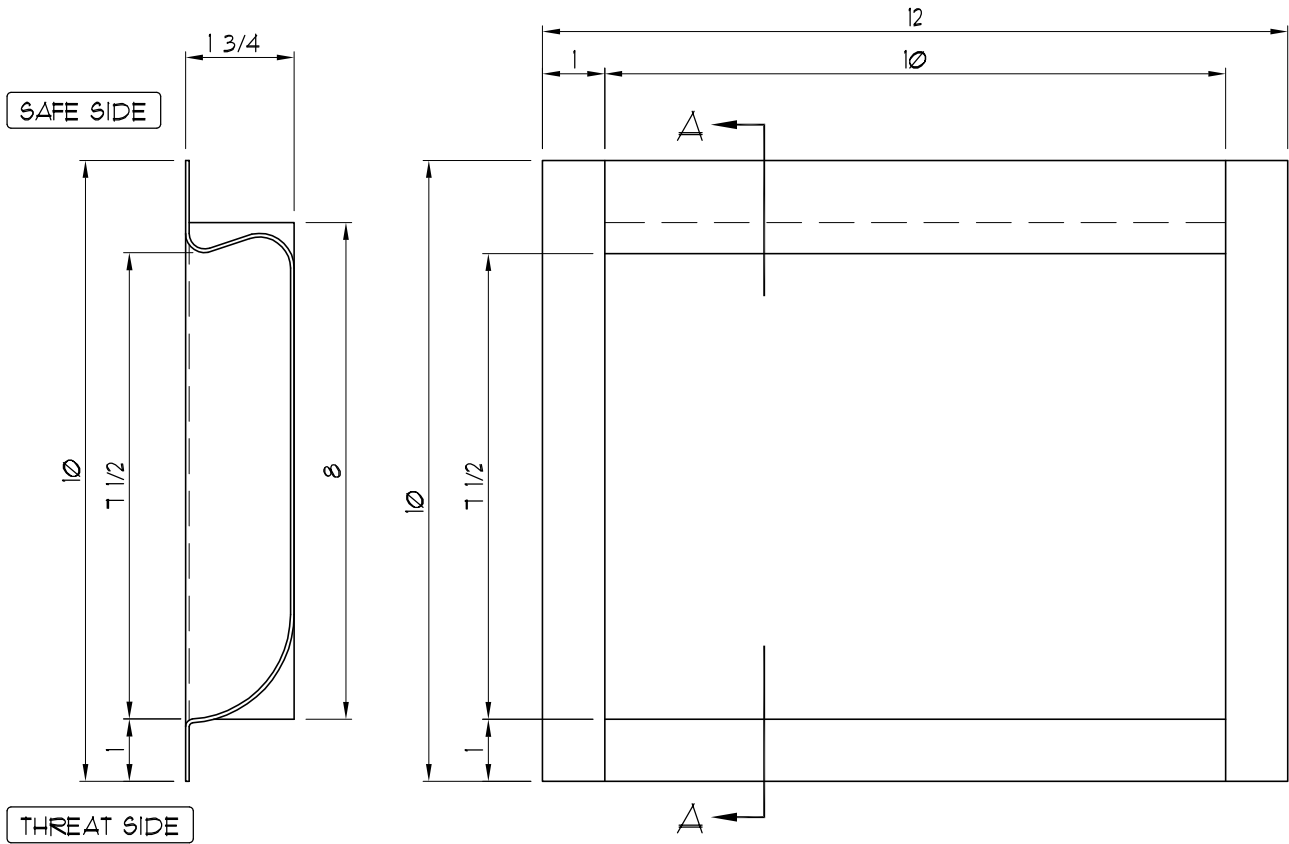
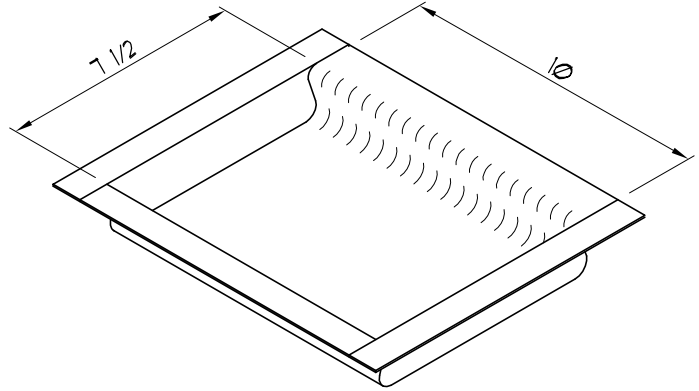


NOTE:

① 16 GA. STAINLESS STEEL DIP TRAY
WITH # 3 SATIN BRUSHED FINISH



SECTION A-A

TOP VIEW
(_ - REQUIRED)

C:\ARMORTEX MASTERS - 2007\DIPTRAY NO COUNTER\T1015005.DWG.DWG 02/19/07 @ 11:23 User: aperez

REVISIONS			ARMORTEX ® BULLET / BLAST RESISTANT PRODUCTS 5926 CORRIDOR PKWY SCHERTZ, TX 78154 TEL: 210-661-8306 800-880-8306 FAX: 210-661-8308		DRN.BY:		DATE:	
No.	DESCRIPTION	DATE			A. Perez		02-16-07	
TITLE:			PROJECT NAME:		CHKD.BY:		DATE:	
ARMORTEX® ONE WAY NON-RICOCHET DIP TRAY MODEL RMDT-1012								
UNLESS OTHERWISE SPECIFIED ALL DIMENSIONS ARE IN INCHES			SCALE	PROJECT No.	DRAWING No.		SHEET	
			NONE		T1015005		1 OF 1	