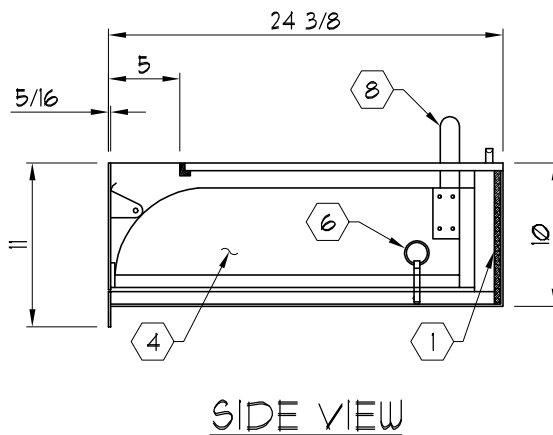
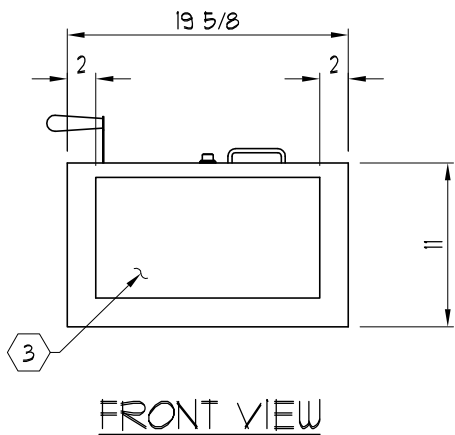
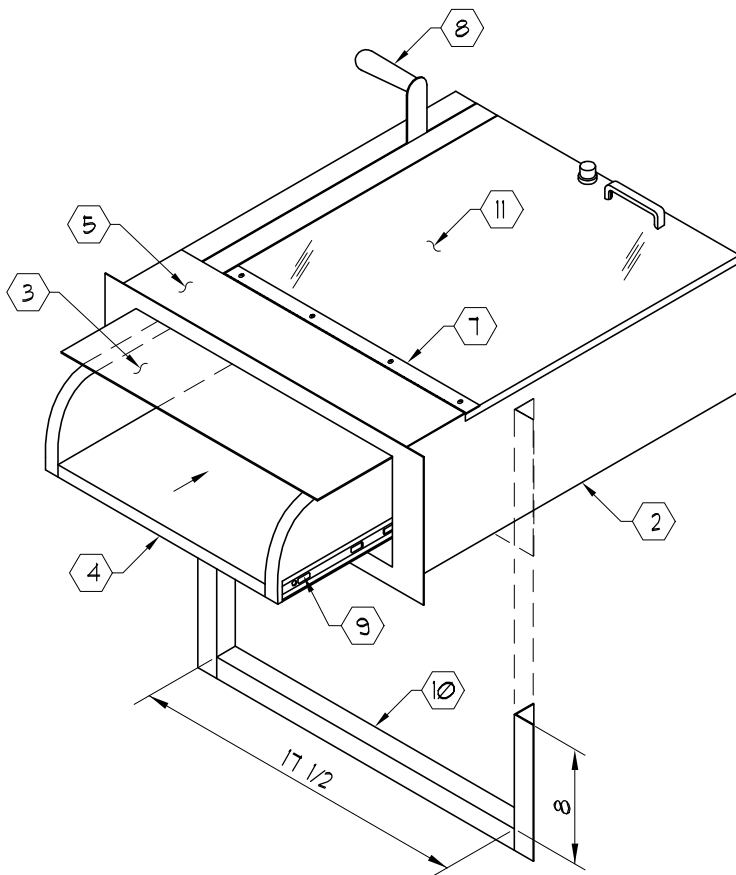
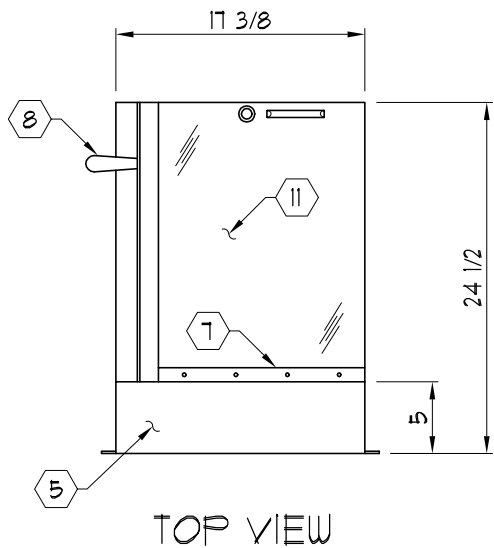


NOTES:

- ① UL LISTED ARMORTEX® BULLET RESISTANT FIBERGLASS
- ② STAINLESS STEEL CASE
- ③ 12 GA. STAINLESS STEEL DRAWER FRONT
- ④ PLASTIC DRAWER
- ⑤ STAINLESS STEEL HOOD
- ⑥ DROP BOLT LOCK
- ⑦ STAINLESS STEEL HINGE
- ⑧ DRAWER PUSH / PULL
- ⑨ SLIDING DRAWER TRACKS
- ⑩ THREE SIDED ADJUSTABLE MOUNTING FLANGE
- ⑪ TRANSPARENT LID WITH LOCKING LATCH / PULL



C:\MASTERS\ARMORTEX\TRANSDRAWERS\T1016008.DWG.DWG 08/26/04 @ 13:45 User: aperez

REVISIONS			SAFEGUARD SECURITY SERVICES, Ltd.				BALLISTIC LEVEL	
No.	DESCRIPTION	DATE	4728 GOLDFIELD, BLDG. 8 SAN ANTONIO, TX. 78218 TEL: 210-661-8306 800-880-8306 FAX: 210-661-8308				DRN.BY:	DATE:
			TITLE: ARMORTEX® BULLET RESISTANT TRANSACTION DRAWER MODEL SS-1724				A. Perez	03-14-03
			PROJECT NAME:				CHKD.BY:	DATE:
			UNLESS OTHERWISE SPECIFIED ALL DIMENSIONS ARE IN INCHES		SCALE: NONE	PROJECT No. _____	DRAWING No. T1016008	SHEET 1 OF 1