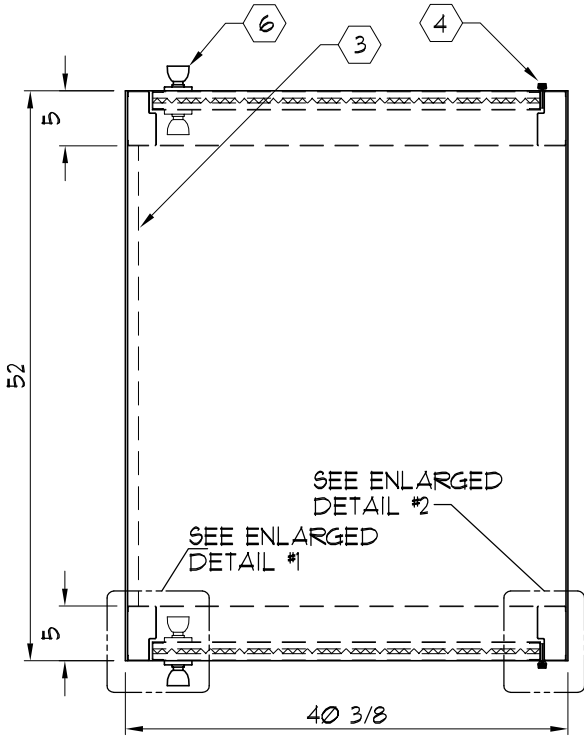
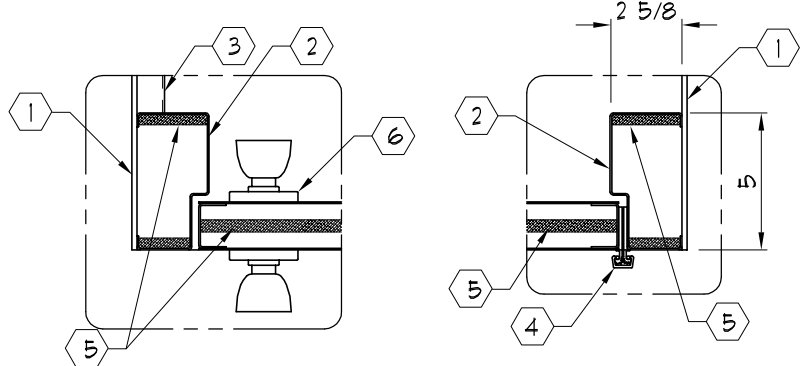


NOTES:

- ① 3/16" PLATE (TYP. 4 SIDES)
- ② 16 GA. PRIME PAINTED STEEL JAMBS
- ③ WIRE COVER CHANNEL
- ④ CONTINUOUS GEAR HINGE
- ⑤ U.L. LISTED BULLET RESISTANT COMPOSITES
- ⑥ HARDWARE: FALCON X581 LOCKS, VON DUPRIN 6211DS FAIL SECURE ELECTRIC STRIKES



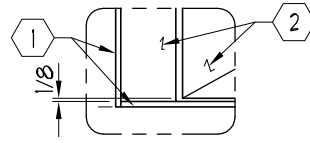
PLAN VIEW



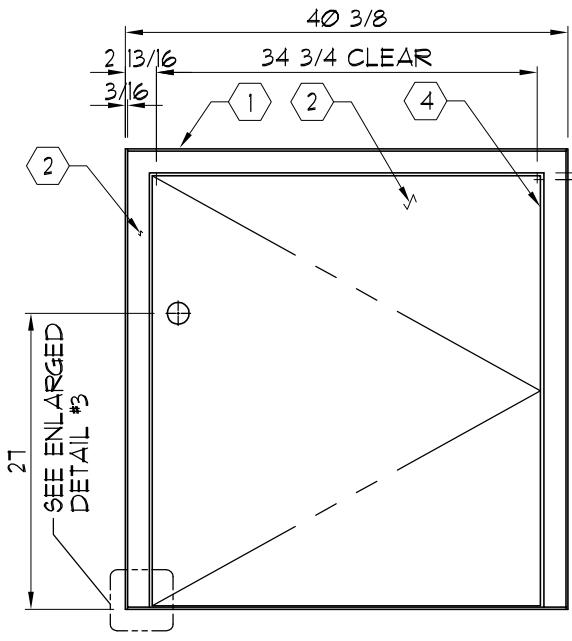
ENL. DET. #1

ENL. DET. #2

(DETAILS SHOWN WITH OUT TOP PLATE AND HEAD JAMB FOR CLARITY)

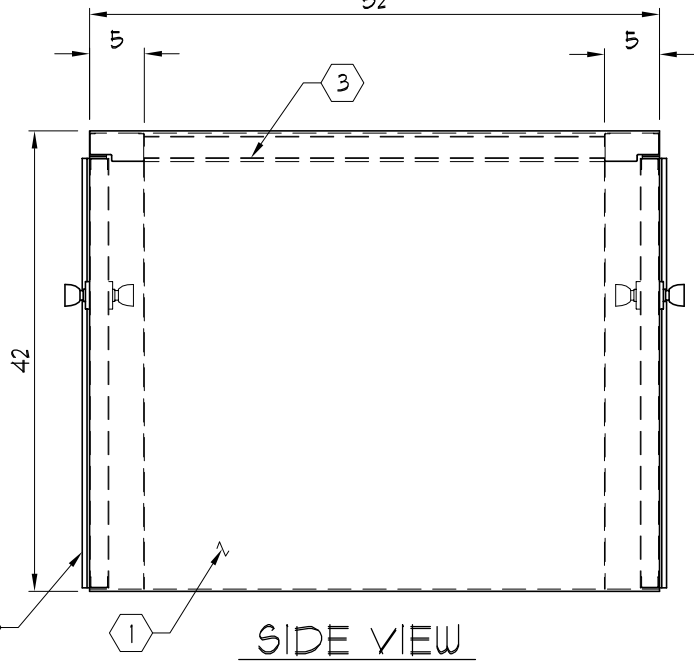


ENL. DET. #3



ELEVATION

(- REQUIRED)



SIDE VIEW

C:\ARMORTEX MASTERS - 2007\PACKAGE RECEIVER\P1013005.DWG 02/15/07 @ 16:16 User: operez

REVISIONS		
No.	DESCRIPTION	DATE

ARMORTEX® BULLET / BLAST RESISTANT PRODUCTS
 5926 CORRIDOR PKWY SCHERTZ, TX 78154
 TEL: 210-661-8306 800-880-8306 FAX: 210-661-8308

TITLE: ARMORTEX® BULLET RESISTANT MONEY CART PASS - THRU
 UNLESS OTHERWISE SPECIFIED ALL DIMENSIONS ARE IN INCHES

PROJECT NAME: _____
 SCALE: NONE PROJECT No. _____

BALLISTIC LEVEL	
DRN.BY: A. Perez	DATE: 02-16-07
CHKD.BY:	DATE:
DRAWING No. P1013005	SHEET 1 OF 1