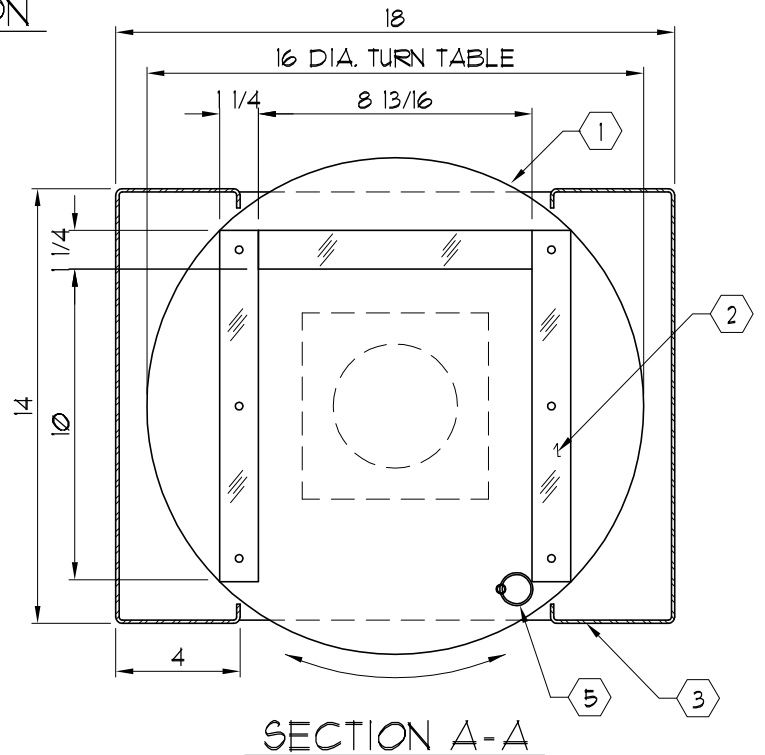


NOTES:

- ① HIGH PRESSURE LAMINATED PLASTIC TURN TABLE
- ② U.L. LISTED ARMORTEX® TP-300 BULLET RESISTANT LAMINATED POLYCARBONATE
- ③ 12 GA. STAINLESS STEEL OUTER BODY
- ④ HIGH PRESSURE PLASTIC LAMINATED BASE
- ⑤ NIGHT LOCKING PIN

NOTE:

OTHER SIZES AND PROTECTION LEVELS ARE AVAILABLE



C:\ARMORTEX MASTERS - 2007\PACKAGE RECEIVER\P1013003.DWG.DWG 02/15/07 @ 16:12 User: aperez

REVISIONS			ARMORTEX® BULLET / BLAST RESISTANT PRODUCTS		BALLISTIC LEVEL 3		
No.	DESCRIPTION	DATE	5926 CORRIDOR PKWY SCHERTZ, TX 78154		DRN.BY:	DATE:	
			TEL: 210-661-8306 800-880-8306 FAX: 210-661-8308		A. Perez	02-16-07	
			TITLE:	PROJECT NAME:	CHKD.BY:	DATE:	
			ARMORTEX® BULLET RESISTANT ROTARY PACKAGE RECEIVER				
			UNLESS OTHERWISE SPECIFIED ALL DIMENSIONS ARE IN INCHES	SCALE	PROJECT No.	DRAWING No.	SHEET
				NONE		P1013003	1 OF 1