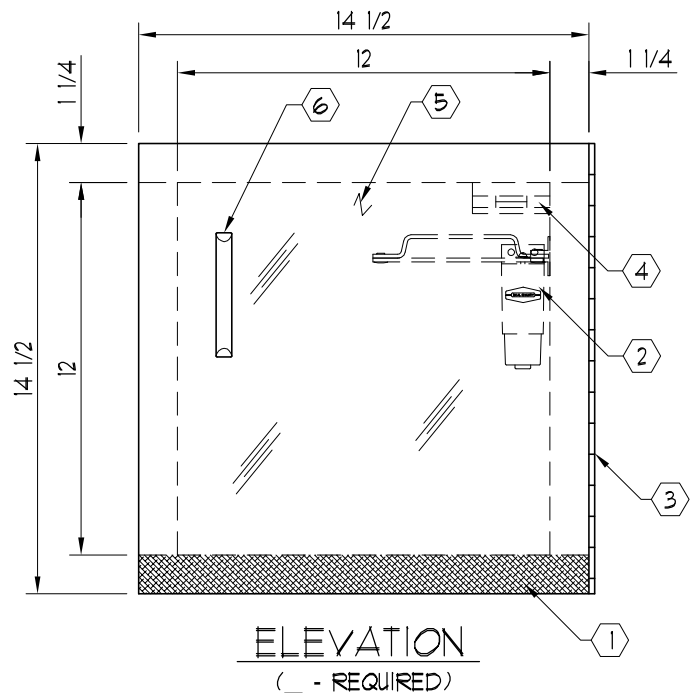
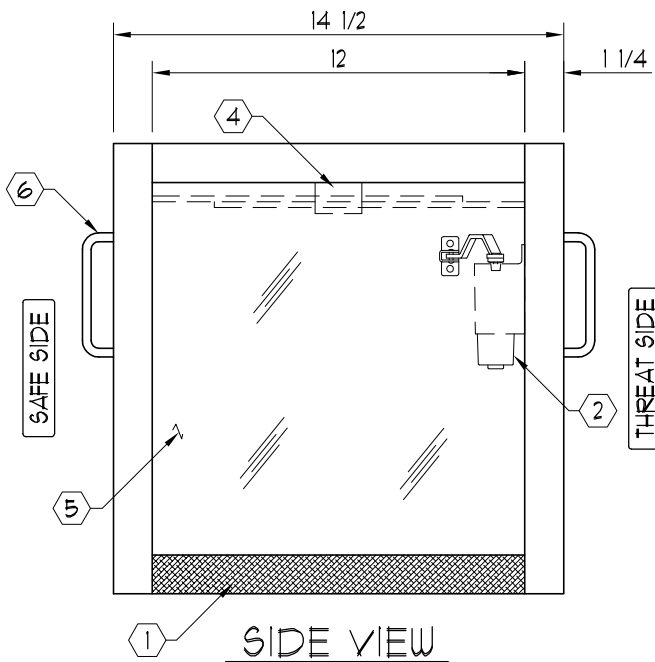
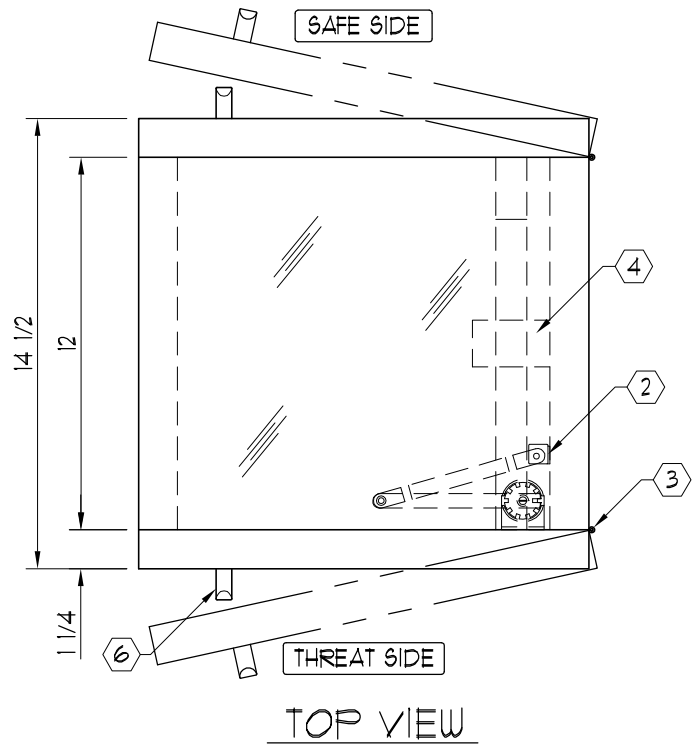


NOTES:

- ① HIGH PRESSURE LAMINATED PLASTIC BASE
- ② AUTOMATIC DOOR CLOSER
- ③ STAINLESS STEEL HINGE
- ④ DOOR INTERLOCK MECHANISM
- ⑤ UL LISTED LEVEL 3 ARMORTEX® BULLET RESISTANT POLYCARBONATE - TP 300
- ⑥ HANDLE

NOTE:

OTHER SIZES AND PROTECTION LEVELS ARE AVAILABLE



C:\ARMORTEX MASTERS - 2007\PACKAGE RECEIVER\P1013002.DWG.DWG 02/15/07 @ 15:58 User: aperez

REVISIONS			ARMORTEX ® BULLET / BLAST RESISTANT PRODUCTS 5926 CORRIDOR PKWY SCHERTZ, TX 78154 TEL: 210-661-8306 800-880-8306 FAX: 210-661-8308		BALLISTIC LEVEL 3	
No.	DESCRIPTION	DATE			DRN.BY:	DATE:
			A. Perez	02-16-07		
			CHKD.BY:	DATE:		
			DRAWING No.	SHEET		
			P1013002	1 OF 1		
TITLE:			PROJECT NAME:	SCALE:	PROJECT No.:	
ARMORTEX® BULLET RESISTANT TRANSPARENT PACKAGE RECEIVER				NONE		
UNLESS OTHERWISE SPECIFIED ALL DIMENSIONS ARE IN INCHES						