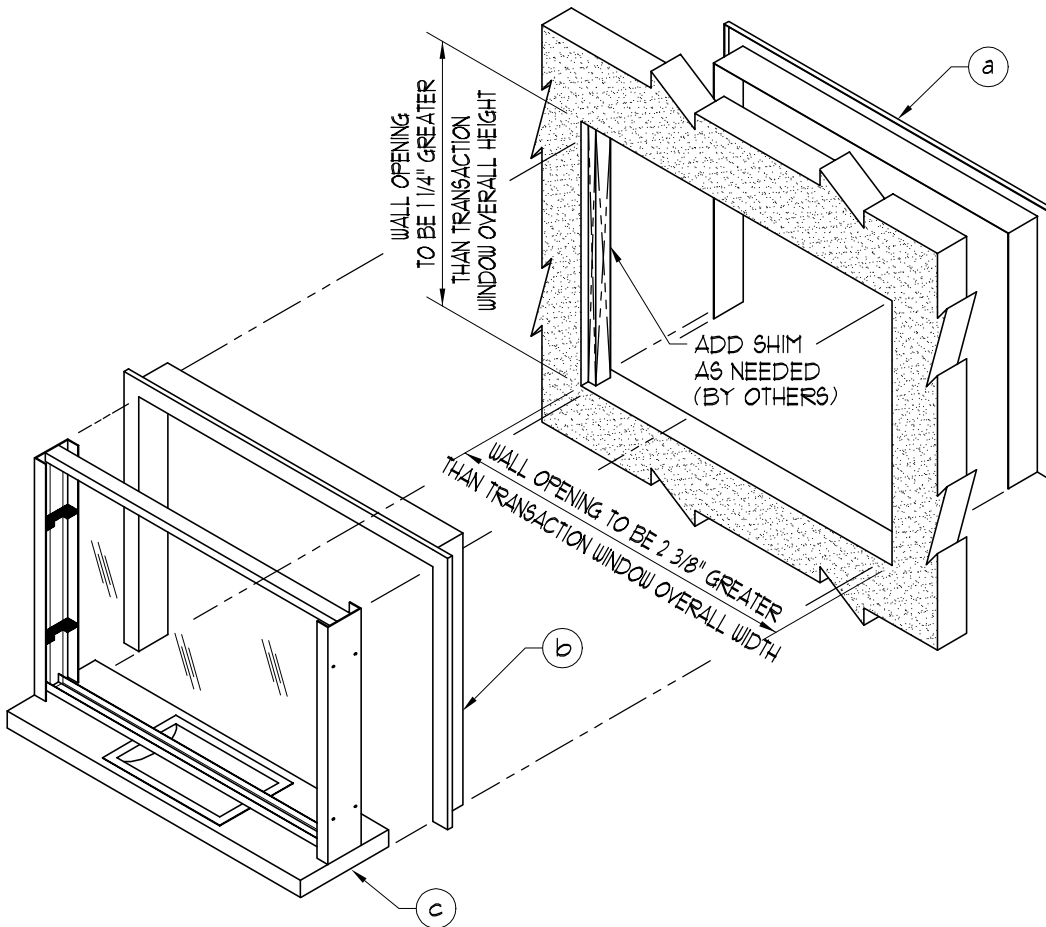


INSTALLATION PROCEDURES

- 1 INSTALL SHIMS ON EACH SIDE AS REQUIRED
- 2 INSTALL FRAME "a" AND SECURE THROUGH SHIM INTO STRUCTURE
- 3 INSTALL FRAME "b" AND SECURE THROUGH AND FRAME "a" TO STRUCTURE
- 4 INSERT TRANSACTION WINDOW "c" AND SECURE THROUGH ANCHOR HOLES IN 12 GA. STAINLESS STEEL SIDE FRAME



C:\MASTERS\ARMORTEX\INSTALL\INST9501.DWG.DWG 03/11/03 @ 11:00 User: andy perez

REVISIONS			SAFEGUARD SECURITY SERVICES, Ltd. 4728 GOLDFIELD, BLDG. 8 SAN ANTONIO, TX. 78218 TEL: 210-661-8306 800-880-8306 FAX: 210-661-8308		BALLISTIC LEVEL	
No.	DESCRIPTION	DATE			DRN.BY:	DATE:
			A. Perez	03-14-03		
			CHKD.BY:	DATE:		
			DRAWING No.	SHEET		
			INST9501	1 OF 1		
TITLE:			PROJECT NAME:			
ARMORTEX® BULLET RESISTANT SPLIT TRANSACTION WINDOW INSTALLATION			SCALE	PROJECT No.		
UNLESS OTHERWISE SPECIFIED ALL DIMENSIONS ARE IN INCHES			NONE			