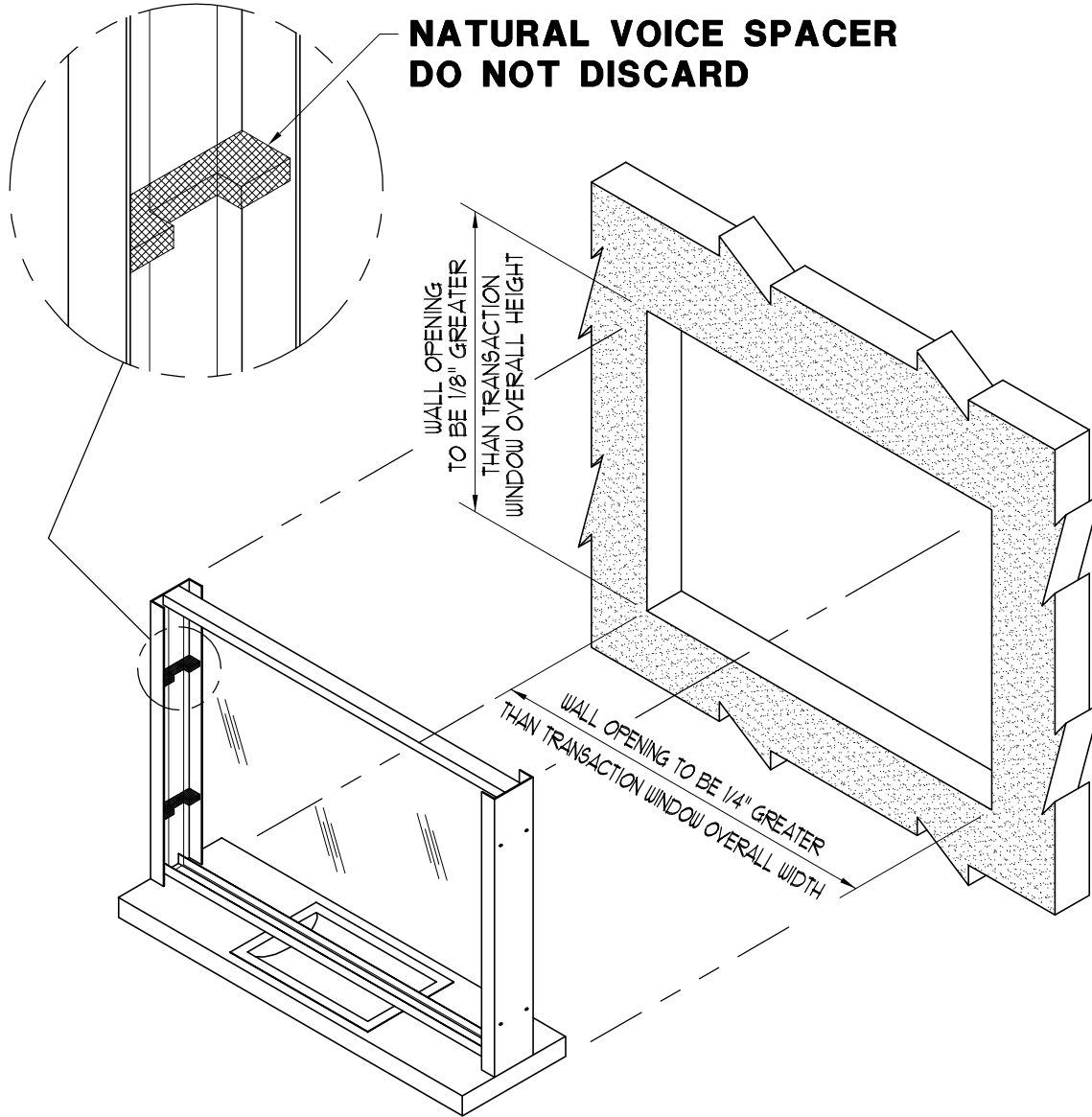


INSTALLATION PROCEDURES

1. CUT A FINISHED OPENING IN THE WALL SIZED TO ACCEPT ARMORTEX BULLET RESISTANT TRANSACTION WINDOW
2. PLACE PRE-FRAMED TRANSACTION WINDOW IN OPENING, SHIM AS NECESSARY AND ATTACH FRAME SIDES TO EXISTING WALL WITH ANCHORS AS REQUIRED.



C:\ARMORTEX MASTERS - 2006\INSTALLATION\INST9500.DWG.DWG 10/24/06 @ 09:14 User: operez

REVISIONS			SAFEGUARD SECURITY SERVICES, Ltd. 5926 CORRIDOR PKWY SCHERTZ, TX 78154 TEL: 210-661-8306 800-880-8306 FAX: 210-661-8308		BALLISTIC LEVEL	
No.	DESCRIPTION	DATE			DRN.BY:	DATE:
			A. Perez	00-00-00		
			CHKD.BY:	DATE:		
			DRAWING No.	SHEET		
			INST9500	1 OF 1		
			TITLE:	PROJECT NAME:		
			ARMORTEX® BULLET RESISTANT TRANSACTION WINDOW INSTALLATION			
			UNLESS OTHERWISE SPECIFIED ALL DIMENSIONS ARE IN INCHES			
			SCALE	PROJECT No.		
			NONE			