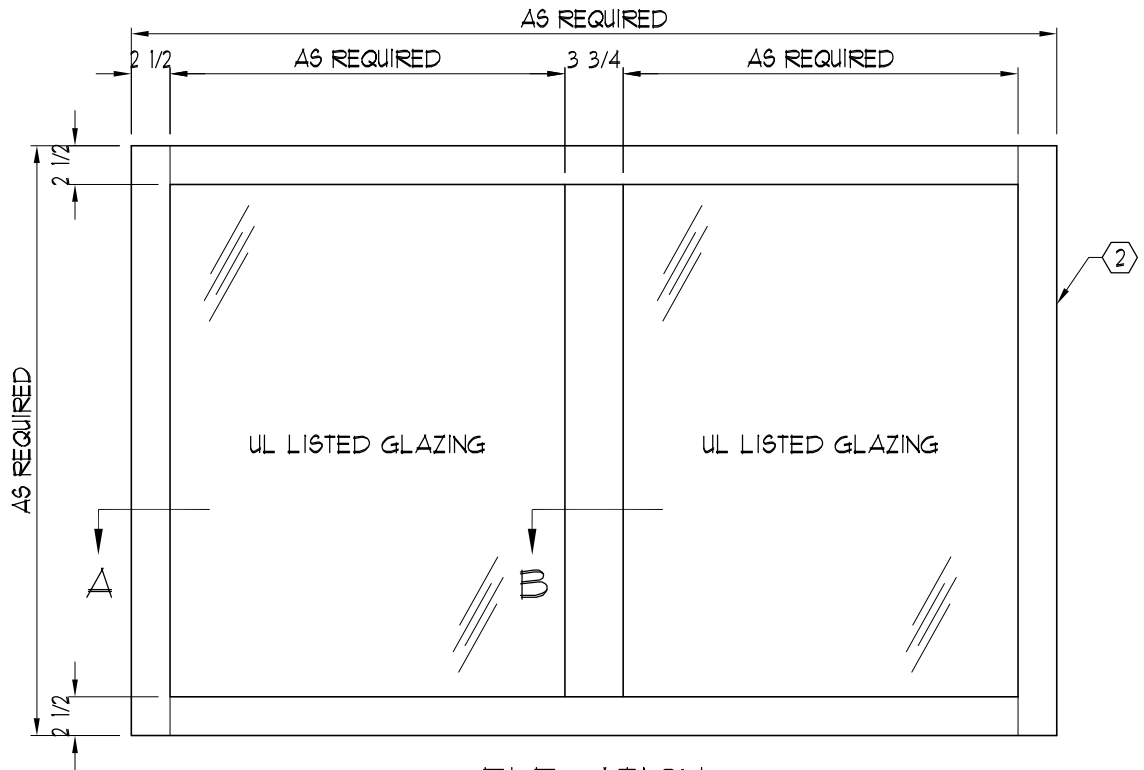
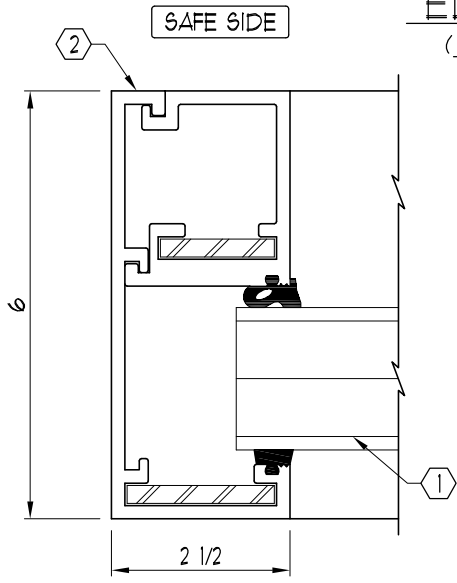


NOTES:

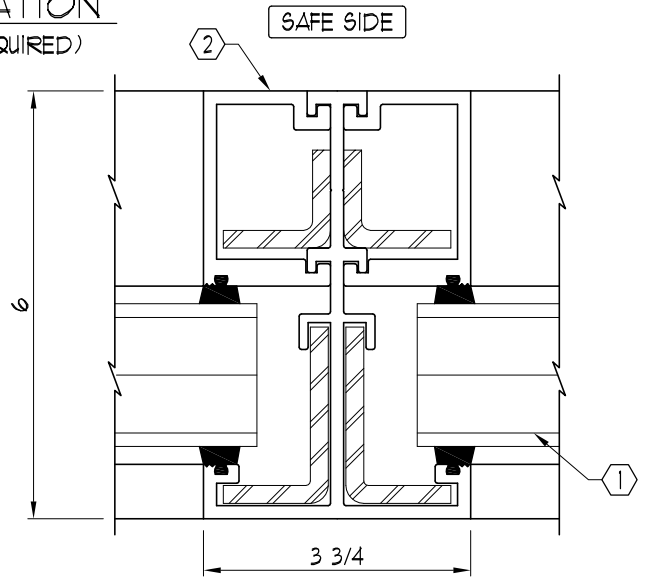
- ① UL LISTED BULLET RESISTANT GLAZING
- ② EXTRUDED ALUMINUM FRAME (6061-T6 ALLOY)
- ③ UL LISTED BULLET RESISTANT STEEL
- ④ NEOPRENE SETTING BLOCKS
- ⑤ ANCHORS AS REQUIRED (BY OTHERS)



ELEVATION  
( \_ - REQUIRED)



SECTION A



SECTION B  
(OPTIONAL)

C:\ARMORTEX MASTERS - 2007\WINDOWS\STOREFRONT\HP600.DWG.DWG 02/14/07 @ 13:38 User: aperez

REVISIONS		
No.	DESCRIPTION	DATE

**ARMORTEX**® BULLET / BLAST RESISTANT PRODUCTS  
 5926 CORRIDOR PKWY SCHERTZ, TX 78154  
 TEL: 210-661-8306 800-880-8306 FAX: 210-661-8308

TITLE: ARMORTEX® BULLET RESISTANT ALUMINUM STOREFRONT FRAME SYSTEM FIXED WINDOW MODEL HP600

UNLESS OTHERWISE SPECIFIED ALL DIMENSIONS ARE IN INCHES

PROJECT NAME: \_\_\_\_\_

SCALE: NONE PROJECT No. \_\_\_\_\_

BALLISTIC LEVEL	
DRN.BY: A. Perez	DATE: 02-16-07
CHKD.BY:	DATE:
DRAWING No. HP600	SHEET 1 OF 1